

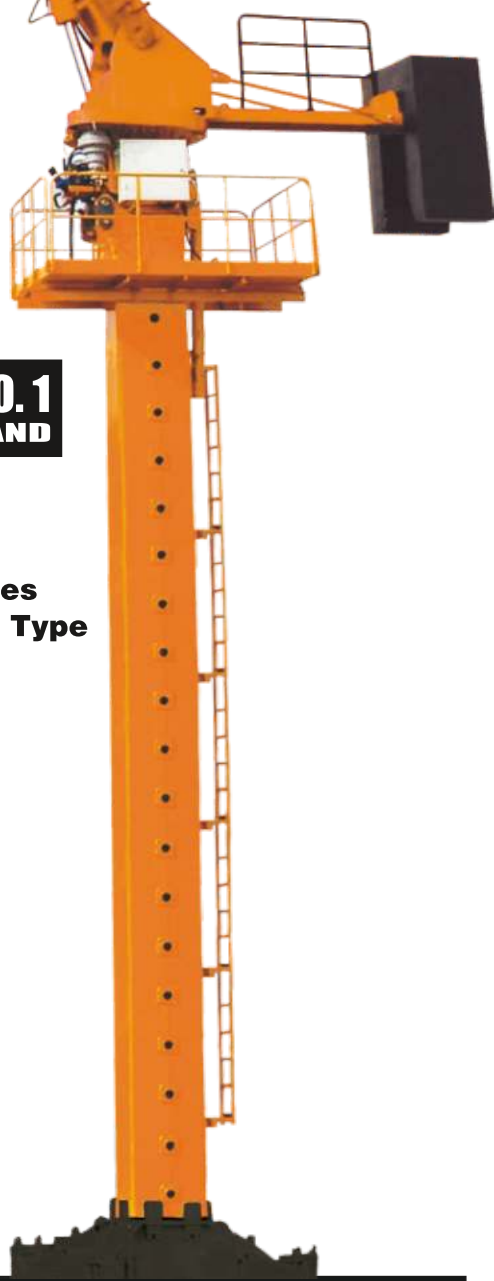
The image shows two orange concrete placing booms. One is a long, articulated boom with a curved end, and the other is a taller, more vertical boom. The ACE logo is prominently displayed in the background, featuring the letters 'ACE' in a stylized, bold font with a black and white geometric pattern. Below the logo, the text 'Concrete Placing Booms' is written in a white, sans-serif font.

ACE
Concrete Placing Booms

ACE INDIA'S NO. 1
CRANE BRAND

**ACP Series
Climbing Type**

**ACS Series
Spider Type**



Technical Specifications

ACP Series

	Description	Units	HGY 33C-3R	HGY 36C-4R
Performance	Max Radius of Placing Boom	m	32.7	36
	Free Standing Height	m	22.7	22.7
	Slewing Range	deg.	±400	±400
	Total Weight	kgs.	22000	28000
	Counter Weight	kgs.	no need	no need
	Weight of Heaviest Component	kgs.	5200	5300
	Electric Power		415V/50Hz	
Motor	Power	kW	15	30
Hydraulic System	System Pressure	MPa	30	32
	Oil Tank Capacity	ltrs.	180	180

	Controls			Radio Remote Control		
				Manual		
	Section of Tubular Column	(mxm)	0.75 x 0.75			
	Boom	Boom Type		Hydraulically Foldable Arm Sections		
		Delivery Pipeline Diameter	mm	125		
		Length of End Hose	m	3	–	
		1st Section	Length	m	15.5	12.3
			Articulation	deg.	-4.2° ~ 82.5°	-3° ~ +85°
		2nd Section	Length	m	9.2	7.9
			Articulation	deg.	0° ~ 180°	0° ~ 180°
		3rd Section	Length	m	8.0	7.9
			Articulation	deg.	0° ~ 180°	0° ~ 180°
		4th Section	Length	m	–	7.9
			Articulation	deg.	–	0° ~ 180°
	Climbing	Climbing Type		Hydraulic		
	Internal Climbing Step Distance	m	0.60			
	Floor Frame		Hole Prepared in Floor			



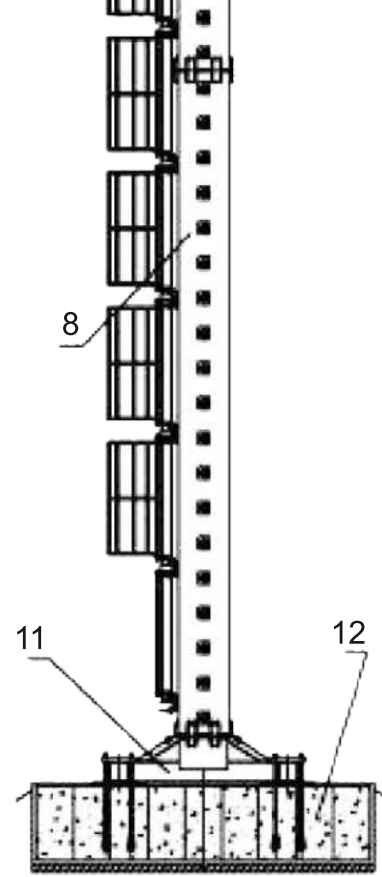
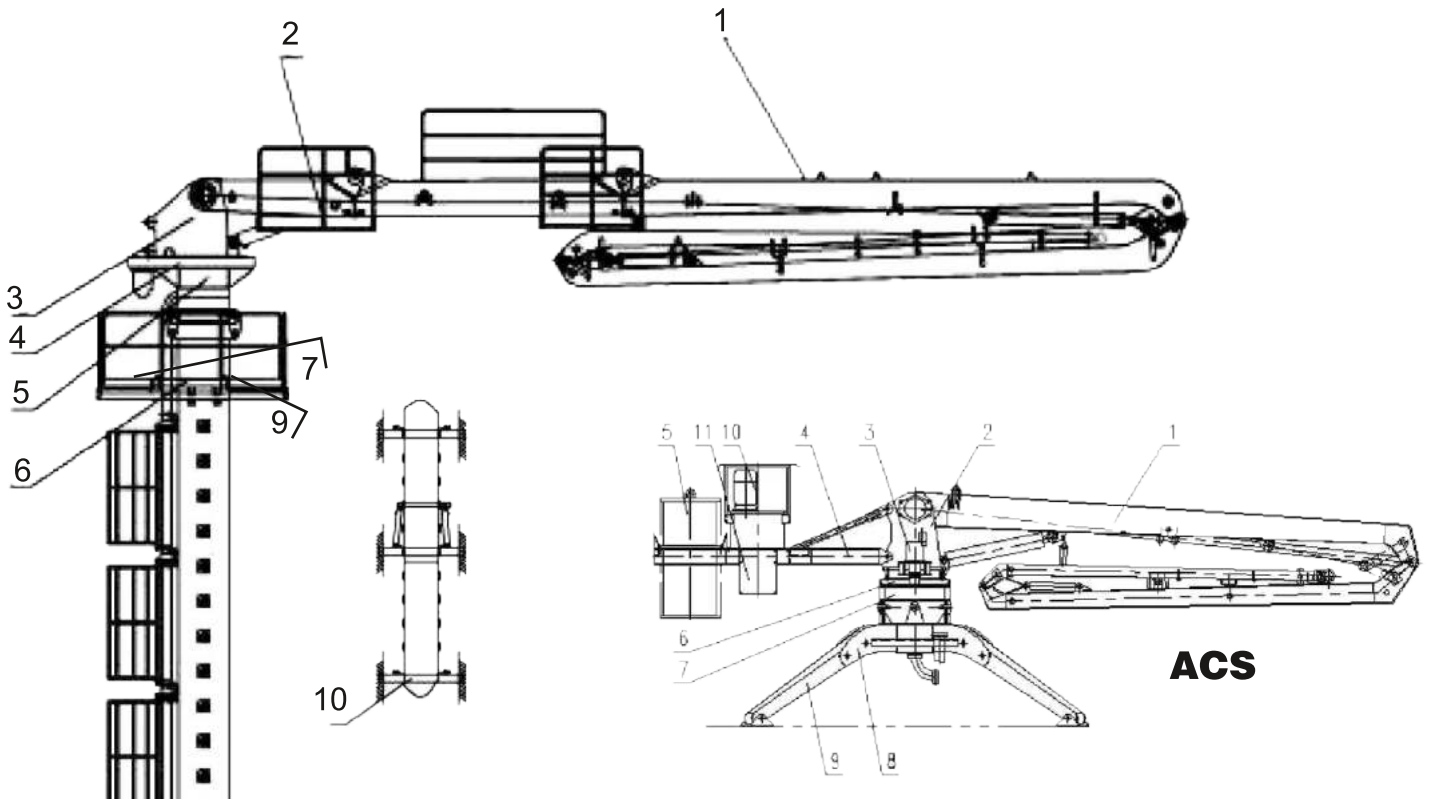
Technical Specifications

ACS Series

S. No.	Description	Units	HGY 13	HGY 17
1	Max Radius of Placing Boom	m	13.00	17.00
2	Max. Height Working Reach	m	15.35	19.90
3	Max.Depth Working Reach	m	5.40	11.78
4	Elevation Angle	deg.	-2 ~ 84.4	-2 ~ 84.4
5	Slewing Range	deg.	360	360
6	Motor Power	kW	4	5.5
7	Hydraulic Pressure	MPa	20	20
8	Slewing	r/min	0.46	0.2-0.3
9	Delivery Pipeline Diameter	mm	125	125
10	Length of End Hose	m	3.00	3.00
11	Footprint of machine	mxm	3.15 x 3.15	4.23 x 4.23
12	Total Weight (without counter weight)	kg	2700	4940
13	Counter weight	kg	2x900	2x1050
14	Length of Boom I	m	3.70	6.67
15	Length of Boom II	m	4.50	5.73
16	Length of Boom III	m	4.80	4.60
17	Overall Dimensions	m	6.82x3.43x3.14	10.22 x4.64x3.50
18	Weight of Heaviest Component	kg	2310	3173



Concrete Placing Boom



ACP Series

S.No.	Component Description
1	Boom Assembly
2	Platform of boom
3	Swivel Tabel
4	Slewing ring support
5	Lower support
6	Working platform
7	Hydraulic control system
8	Tubular column assembly
9	Electrical system
10	Climbing Mechanism
11	Cruciform base template
12	Concrete Foundation (To be prepared at site)

ACS Series

S.No.	Component Description
1	Boom Assembly
2	Upper Support
3	Slewing mechanism
4	Counter-jib
5	Counterweight
6	Slewing ring
7	Sub-pedestal
8	Base frame
9	Outrigger
10	Hydraulic system
11	Control system

ACP



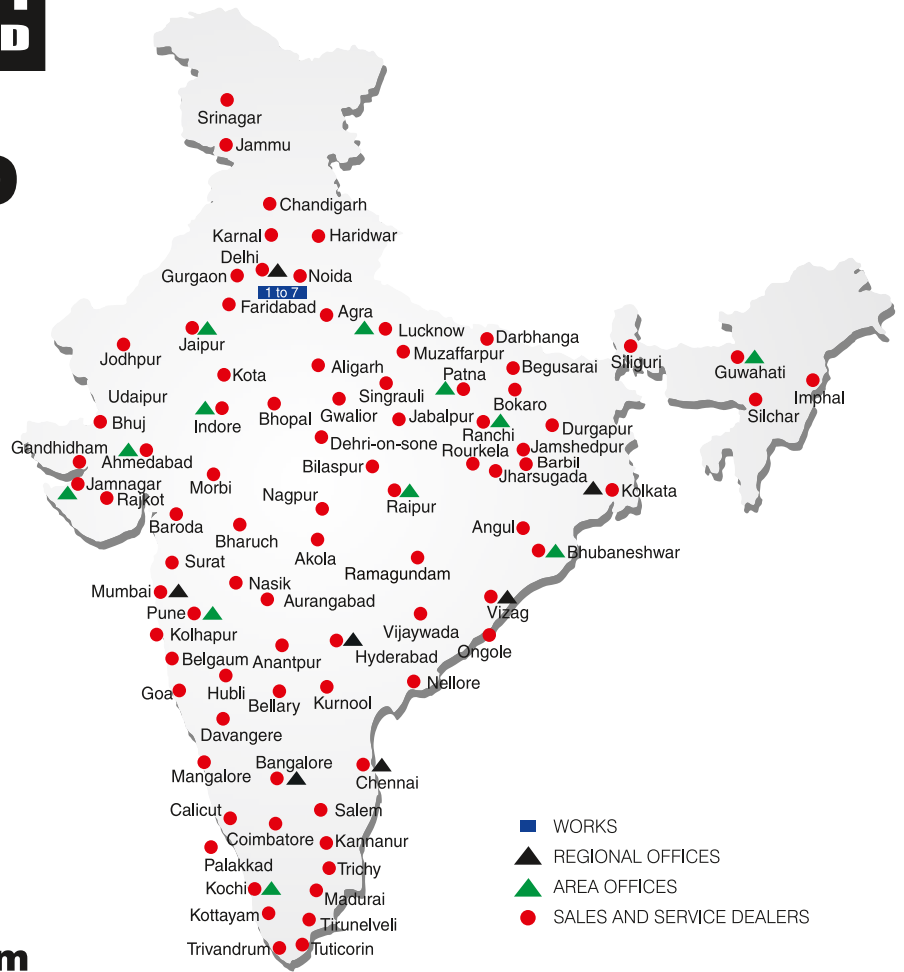
Concrete Placing Booms

BUILT TO PERFORM



**RELIABLE AND
DEPENDABLE
EFFICIENCY**

NETWORK



**Toll Free Help Line
1800 1800 004**

www.ace-cranes.com

MARKETING H.Q.

4th Floor, Pinnacle
Surajkund, NCR-121009
Ph. : +91-129-4550000
Fax : +91-129-4550022
E-mail: marketing@ace-cranes.com

REGISTERED OFFICE

Dudhola Link Road, Dudhola
Palwal-121102, Haryana
Ph.: +91-1275-280111
Fax: +91-1275-280133
CIN : L74899HR1995PLC053860

MUMBAI OFFICE

31, "Kalpataru Court"
Chembur, Mumbai - 400074
Ph.: +91-22-25206846, 25207070
Fax: +91-22-25207071
E-mail: acemumbai@ace-cranes.com

KOLKATA OFFICE

"Forma Towers" 84-A, Second Floor
AJC Bose Road, Kolkata - 700014
Ph.: +91-9038070630
E-mail: acekolkata@ace-cranes.com

CHENNAI OFFICE

1st Floor, "Alsa Regency", 165
Eldams Road, Alwar Pet
Chennai - 600018
Ph.: +91-44-24314253
Fax: +91-44-24314252
E-mail: acechennai@ace-cranes.com

HERE TO SERVE YOU.

SPARE PARTS & SERVICE

ACE has all India Sales and Service network operating out of all the major cities. These outlets are fully equipped to provide genuine spare parts and services by company trained engineers. These outlets are further supported by company officials based at Delhi, Mumbai, Chennai, Kolkatta, Ahmedabad, Surat, Pune, Jaipur, Chandigarh, Ranchi, Raipur, Indore, Bhubneshwar, Lucknow, Jamnagar, Hyderabad, Bangalore, Guwahati, Patna, Vizag & Kochi.



Action Construction Equipment Ltd.

Contact:



ACE reserves the right to alter any specifications without prior notice. Dimensions, weights & capacities mentioned herein are variable by ± 5%. Accessories if shown are not part of the Standard Equipment.