

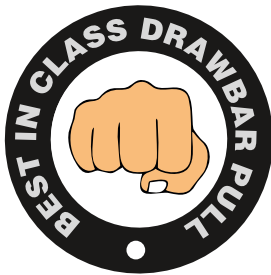


# ACE

## AG176

### High Performance and Rugged Motor Grader

Operating Weight 15 Tonnes  
Engine 180 Hp Ashok Leyland H-Series  
Heavy Duty Rock Grade Tyres

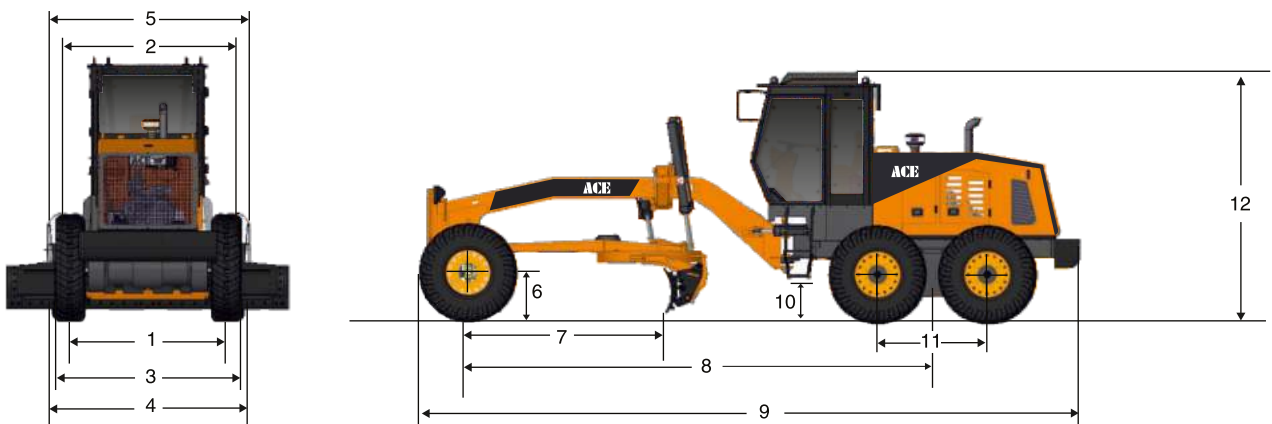


## Specifications

## Motor Grader

<b>OPERATING WEIGHT</b>	
Total Weight	15000 Kgs
Weight on Front Wheel	4500 Kgs
Weight on Rear Wheel	10500 Kgs
<b>ENGINE</b>	
Emission Rating	CEV, BSIV
Engine Model	Ashok Leyland H6C418022
Engine Rated Power	180 hp @ 2200 rpm
Engine Torque	700 Nm @ 1400 rpm
No. of Cylinders	6
Bore x Stroke	104 x 113 mm
<b>TRANSMISSION</b>	
Type of Transmission	Powershift with Torque Converter
Drive	4 Wheel Drive
No. of Gears	6F/3R
Max. Speed (Fwd)	36 Km/hr
Reverse Speed (Rev)	22 Km/hr
<b>AXLE</b>	
Differential	NO-SPIN Anti Slide Type
Front Axle Type	Lean Wheel, Steel Frame
Rear Axle Type	Tandem Axle
Front Axle, Wheel Lean Angle	15 degrees
<b>TYRES</b>	
Tyre Size	14.00x25, 20 PR
Tyre Pressure	475 kPa
<b>BRAKES</b>	
Service Brake Type	Hydrostatic
Parking Brake Type	Mechanical, Hand Operated
<b>STEERING</b>	
Steering Configuration	Front wheel & Articulated frame steer
Steering Angle	+/-45 degrees
Frame Articulation Angle	+/-15 degrees

<b>FORCES</b>	
Drawbar Pull	9450 Kgs
Blade Down Pressure	7140 Kgs
Traction Force	>=90 KN
<b>BLADE RANGE</b>	
Blade Height (Width)	610 mm
Blade Length	3650 mm
Max. Lift Above Ground	390 mm
Max. Depth of Cut	500 mm
Blade Tilt Angle	90 degrees
Blade Pitch Angle	42 degrees
Blade Rotation Angle (Horizontally)	360 degrees
Cutting Angle	36-66 degrees
<b>HYDRAULIC SYSTEM</b>	
Pump Type	Gear Pump
Main Relief Valve Pressure	18 MPa
Pump Flow	240 Ltr/min
<b>ELECTRIC SYSTEM</b>	
Battery Qty	2
Voltage/Amp	24V/130Amp
<b>SERVICE CAPACITY</b>	
Fuel Tank	260 L
Engine Oil Sump Capacity	16 L
Coolant	13.5 L
Hydraulic Tank Capacity	110 L
Transmission Oil	28 L
Tandem Oil	52 L
Axle Oil	28 L
Swing Gear Box	3 L
<b>ATTACHMENTS</b>	
Dozer blade	Optional
Ripper rear	Optional



S. No.	DIMENSIONS	
1	Width Tyre Centre line (Rear)	2150 mm
2	Width Tyre Centre line (Front)	2090 mm
3	Width Outside Tyres (Rear)	2550 mm
4	Width Outside Tyres (Front)	2500 mm
5	Overall Width	2550 mm
6	Height to front axle from ground	620 mm

S. No.	DIMENSIONS	
7	Blade Base (Length front axle to moldboard)	2840 mm
8	Wheel Base (Length front axle to mid tandem)	6550 mm
9	Overall Length	9320 mm
10	Ground Clearance	412 mm
11	Length between tandem axles	1550 mm
12	Overall Height	3510 mm

## ● Engine



Ashok Leyland H-series 6 cylinder water cooled Turbocharged Diesel engine with SCR technology generating 180 hp @ 2200 rpm meeting CEV Stage-IV emission compliance. Common Rail Fuel System for effective power strokes and efficient fuel consumption. This high torque engine provides high pushing power and thus improves operating efficiency.

## ● Transmission



Avtec / ZF Technology Transmission provides Six Forward and Three Reverse Speeds. Electro-Hydraulically controlled Power shift transmission makes operations easy and convenient.

## ● Axle



Axle with well known technology of MERITOR, USA equipped with Auto-Lock, No-Spin, Anti-Slide Differential & Sturdy Chains. Heavy Duty Axle protects internal components in harsh environment and offers longer service life.

## ● Engine Accessibility



Open vents from either side ensures easy access for daily maintenance checks, serviceability and adequate ventilation.

## ● 360° Blade Rotation



360° rotation of the blade also ensures productivity during reverse movement of the grader, specially in heap breaking application. Offers high productivity in minimum no. of passes saving fuel, time and maintenance cost.

## ● ROPS Cabin



Ergonomically designed diamond shaped Air -Conditioned cabin with wide-view vision, FM Radio, adjustable operator seat & operating console. The rollover protective structure (ROPS) is designed as per ISO 3471-1994, ISO 3164-1995 (E) standards providing water, dust and noise resistance for operator's comfort and safety.

## ● Blade Force



## ● Tyre



Heavy duty Rock grade tyres of size 14.00 X 25 with 20 Ply rating for minimum wear and increased life. 14.00 x 24 with 16 PR for road applications.

Best in class Drawbar Pull Force of 9450 Kg for high productivity. Blade Down force of 7140 Kg for faster cutting and effective grading operations.



- **Angle Regulator**



Hydraulically operated adjustment of blade tilt angle from the cabin. Ensures no stoppage of work for blade adjustment.

- **Front & Rear Visibility**

Bigger size front windscreen and compact engine hood design provides good all around visibility to the operator.



- **Air Conditioner**



Roof mounted AC is provided to ensure operator comfort and efficiency.

- **Ground Clearance**



Best in class ground clearance of 412 mm for easy rough terrain operation.

- **Control Valve**



Walvoil 5 spool directional multi-way control valve for smooth operations and low maintenance cost.



## ● Centralized Lubrication System (Optional)

Centralized lubrication system to ensure quick & effective lubrication of machine for maximized uptime.



## ● Attachments (Optional)



Front Dozer Blade or Rear Ripper provided as an optional attachment for additional applications.

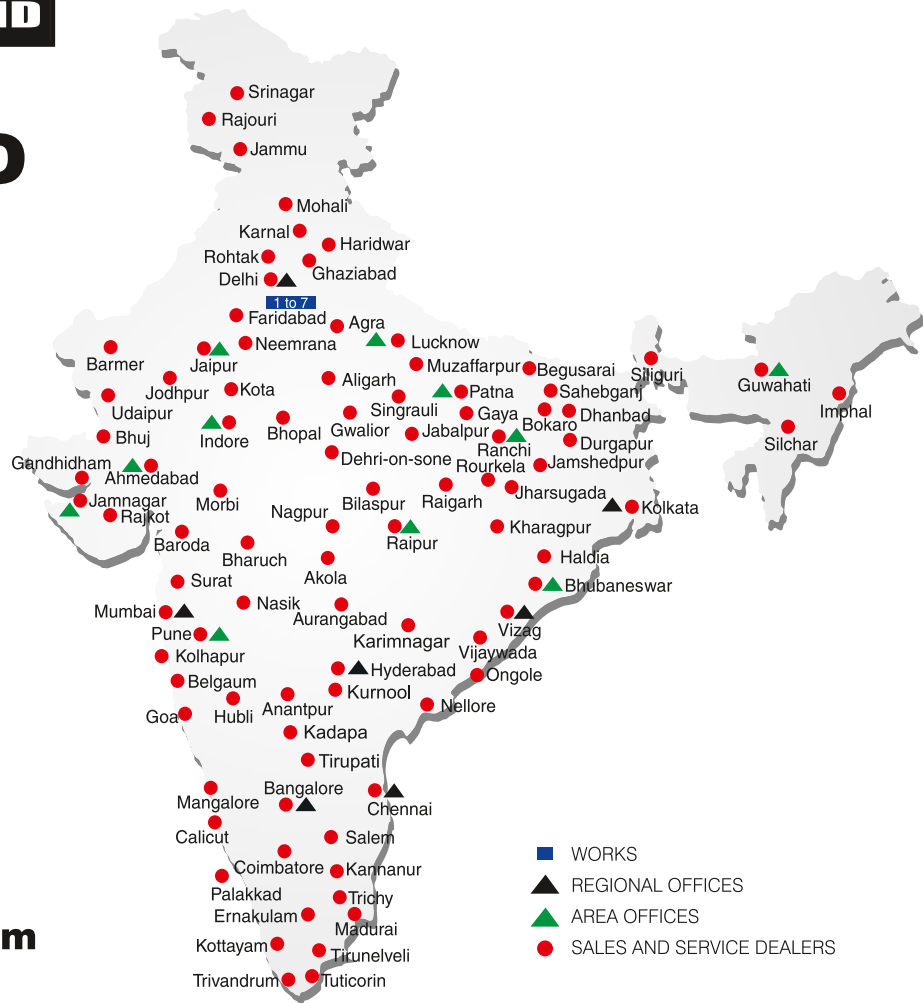


# BUILT TO PERFORM



**RELIABLE AND  
DEPENDABLE  
EFFICIENCY**

## NETWORK



[www.ace-cranes.com](http://www.ace-cranes.com)

### MARKETING H.Q.

4th Floor, Pinnacle  
Surajkund, NCR-121009  
Ph. : +91-129-4550000  
Fax : +91-129-4550022  
E-mail: marketing@ace-cranes.com

### REGISTERED OFFICE

Dudhola Link Road, Dudhola  
Palwal-121102, Haryana  
Ph. : +91-1275-280111  
Fax : +91-1275-280133  
CIN : L74899HR1995PLC053860

### MUMBAI OFFICE

31, "Kalpataru Court"  
Chembur, Mumbai - 400074  
Ph. : +91-22-25206846, 25207070  
Fax : +91-22-25207071  
E-mail: acemumbai@ace-cranes.com

### KOLKATA OFFICE

"Forma Towers" 84-A, Second Floor  
AJC Bose Road, Kolkata - 700014  
Ph. : +91-9038070630  
E-mail: acekolkata@ace-cranes.com

### CHENNAI OFFICE

1st Floor, "Alsa Regency", 165  
Eidams Road, Alwar Pet  
Chennai - 600018  
Ph. : +91-44-24314253  
Fax : +91-44-24314252  
E-mail: acechennai@ace-cranes.com

## HERE TO SERVE YOU.

### SPARE PARTS & SERVICE

ACE has all India Sales and Service network operating out of all the major cities. These outlets are fully equipped to provide genuine spare parts and services by company trained engineers. These outlets are further supported by company officials based at Delhi, Mumbai, Chennai, Kolkata, Ahmedabad, Surat, Pune, Jaipur, Chandigarh, Ranchi, Raipur, Indore, Bhubneswar, Lucknow, Jamnagar, Hyderabad, Bangalore, Guwahati, Patna, Vizag & Kochi.



**Action Construction Equipment Ltd.**

Contact:



ACE reserves the right to alter any specifications without prior notice. Dimensions, weights & capacities mentioned herein are variable by ± 5%. Accessories if shown are not part of the Standard Equipment.