

100%
Swadeshi



ACE

Tower Cranes

ACE INDIA'S NO. 1
CRANE BRAND

About ACE



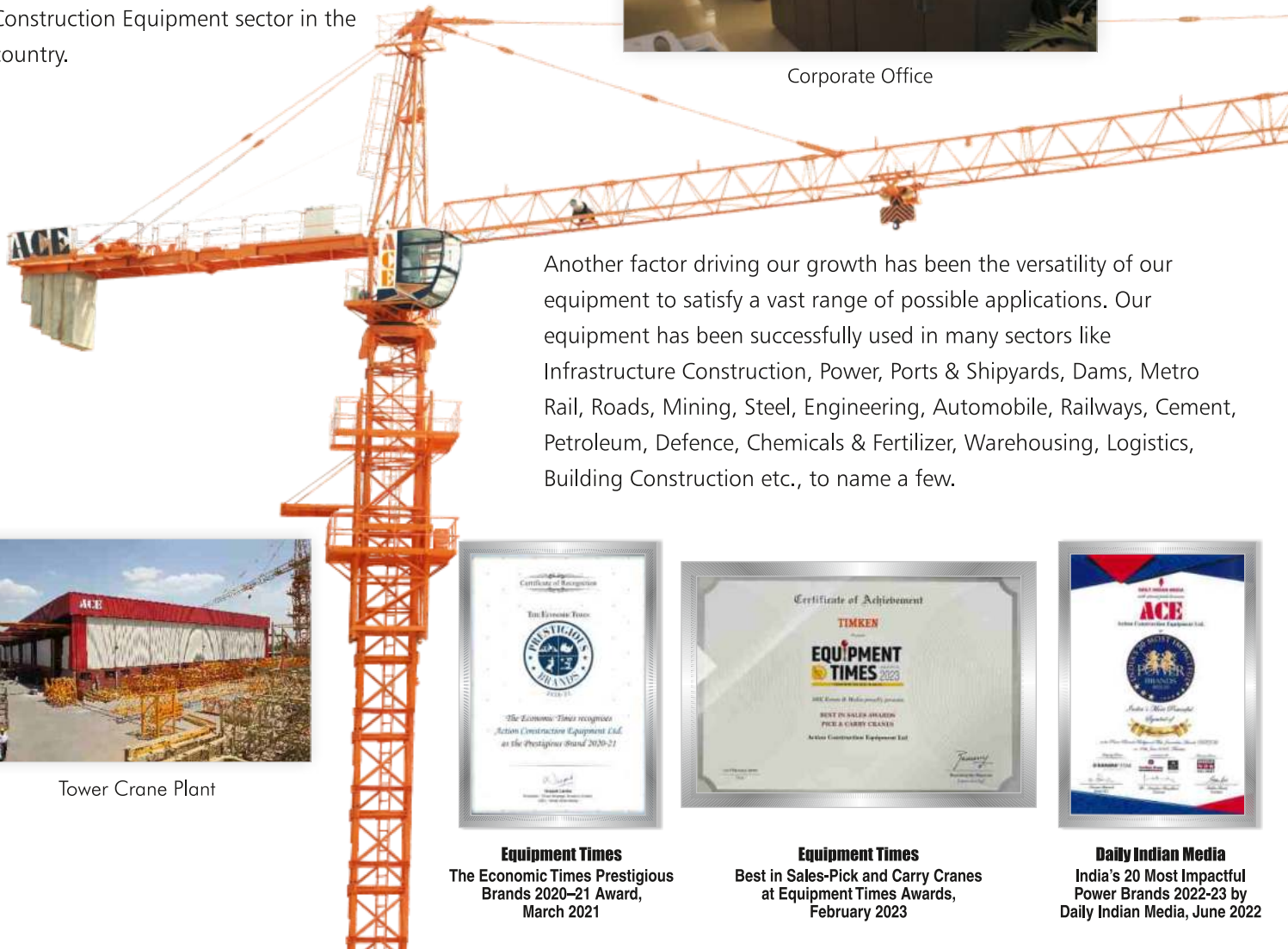
Corporate Office

ACE - Action Construction Equipment Limited is India's largest Mobile Crane and Tower Crane manufacturing company. In addition to Tower Cranes, ACE also offers Mobile Cranes, Loaders, Vibratory Roller, Truck Mounted Cranes, Crawler Cranes, Forklifts, Tractors and other Construction Equipment. ACE has a consolidated presence in all major Infrastructure, Construction, Heavy Engineering and Industrial Projects across the country.

The policy of responding with speed and expertise has been rewarded over the years in the form of repeat business, resulting in constant growth of the company and making us one of the leading companies in the Mobile Cranes, Tower Cranes and Construction Equipment sector in the country.



Corporate Office



Another factor driving our growth has been the versatility of our equipment to satisfy a vast range of possible applications. Our equipment has been successfully used in many sectors like Infrastructure Construction, Power, Ports & Shipyards, Dams, Metro Rail, Roads, Mining, Steel, Engineering, Automobile, Railways, Cement, Petroleum, Defence, Chemicals & Fertilizer, Warehousing, Logistics, Building Construction etc., to name a few.



Tower Crane Plant



Equipment Times
The Economic Times Prestigious Brands 2020-21 Award, March 2021



Equipment Times
Best in Sales-Pick and Carry Cranes at Equipment Times Awards, February 2023



Daily Indian Media
India's 20 Most Impactful Power Brands 2022-23 by Daily Indian Media, June 2022



TOWER CRANE RANGE

Model	Maximum Capacity (t)	Free Standing Height (m)	Jib Length (m)	Tip Load (t)	Mast Size L x B x H (m)
-------	----------------------	--------------------------	----------------	--------------	-------------------------

TOWER CRANES - SELF ERECTING

MTC-2418	1.6	24	18	0.55	(-)
MTC-3625	2.5	36	25	0.80	(-)

TOWER CRANES - FIXED / INNER CLIMBING / RAIL MOUNTED

TC 5034	5	34.5	50	1.3	1.2 x 1.2 x 3.0
TC 5040C	5	40.0	50	1.3	1.6 x 1.6 x 2.8
FT 5040	5	40.0	50/52	1.4	1.6 x 1.6 x 2.8
TC 5540	5/6	40.0	55	1.0	1.6 x 1.6 x 2.8
FT 5540	5	40.0	55	1.0	1.6 x 1.6 x 2.8
TC 6040	5/6	40.0	60	1.0	1.6 x 1.6 x 2.8
TC 6040B	5/6	40.0	60	1.2	1.6 x 1.6 x 2.8
FT 6040	5/6	40.5	60	1.3	1.6 x 1.6 x 2.8
TC 6552	10	51.3	65	2.0	1.83 x 1.83 x 3.0
TC 7054	16	52.0	70	3.5	2.15 x 2.15 x 3.0
TC 7059	20	59.0	70	5.2	2.15 x 2.15 x 3.0
TC 7074	25	73.0	70	5.2	2.5 x 2.5 x 5.95



Fortune India
 Ranked 171st among the
 Next 500 Companies –
 Fortune India Magazine



Equipment India
 Bestseller in Mobile Cranes
 2021 by Equipment India,
 Oct 2021



Equipment India
 Bestseller in Mobile Cranes Category
 Award- 10th Equipment India
 Awards 2022

MTC 2418 Mobile Tower Crane

1.6 t

● MTC-2418 is an **all-terrain, self propelled** mobile tower crane, with a road speed of 25 km/hr. A differential lock enables it to get out of tough spots.

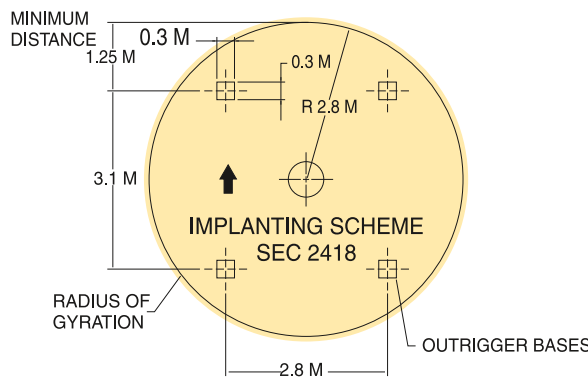
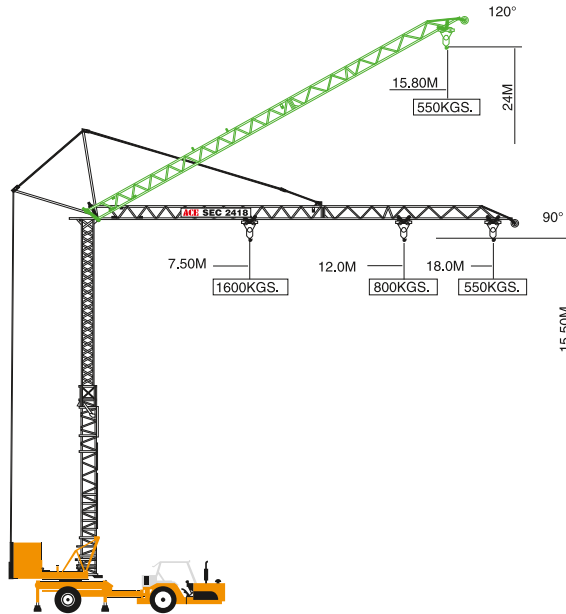
● MTC-2418 is **self erecting/self-folding**. Operations can be easily affected in a few minutes by a single operator through a remote control pod.

● MTC-2418 is **remote controlled**. It facilitates the operator to position himself in such a way that he can see both picking as well as dumping points for precise load positioning.

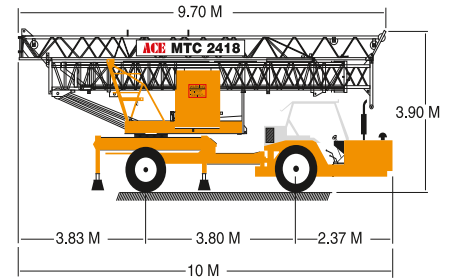
● A **built-in generator**, driven by the prime mover's engine makes MTC-2418 totally independent of any outside electric source. The crane only uses a part of the power and the generator can be used to supply other electrical equipment like mixers, vibrators and job site lighting systems.

● An articulated chassis and hydraulic steering system enables a very **short turning radius and easy positioning**.

● Stabilizers are of out and down type and can be retracted into the lower chassis to satisfy **road clearance codes**.



ALL DIMENSIONS IN METRES ±5%



Horizontal jib position	Height	15.5 mtrs.
	Length	7.5 mtrs. 18 mtrs.
	Capacity	1600 Kgs. 550 Kgs.
Raised jib position	Height	24 mtrs.
	Length	7.2 mtrs. 15.8 mtrs.
	Capacity	1600 Kgs. 550 Kgs.
Speed	Trolleying	33m/min.
	Hoisting	15m/min. & 30m/min.
	Slewing	1 RPM
Electrical motors	Trolleying	1.5 H.P.
	Hoisting	7.5 H.P.
	Slewing	2.0 H.P.
Electric Power	10.25 KVA	
Engine (Prime mover)	Four cylinder, water cooled, diesel engine developing 49 BHP at 2300 RPM, Model A498	
Generator Power Developed	20 KVA	
Total weight with Ballast	13500 Kgs.	
Total weight without Ballast	8700 Kgs.	
Transportation Dimensions	Width	2.5 mtrs.
	Length	10 mtrs.
	Height	3.9 mtrs.
Front axle load	5300 Kgs.	
Rear axle load	8200 Kgs.	
Safety device	<ul style="list-style-type: none"> • Circuit breakers • Overload limit switch • Moment limit switch • Hoist limit switch • Trolley limit switch 	
Variant Model	MTC 2418 T Mounted on a towable trailer without prime mover.	

MTC 2418



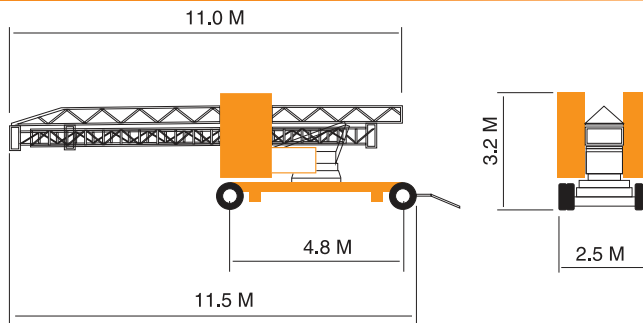
MTC 2418 T - Mounted on a towable trailer



MTC 3625 Mobile Tower Crane

2.5 t

- MTC-3625 is a **self erecting/self folding** mobile tower crane. Operations can be easily affected by a single operator, through a remote control pod.
- The crane is mounted on a **towable type trailer** with compact dimensions for easy transportation.



Prime mover (optional)

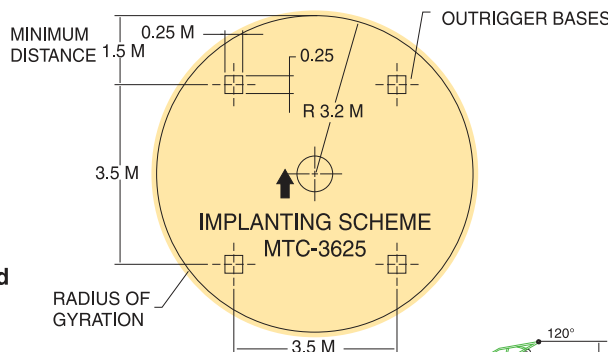


- MTC-3625 is **controlled by a remote**. This facilitates the operator to position himself in such a way that he can see both picking as well as dumping points for precise load positioning.

MTC 3625 in folded position

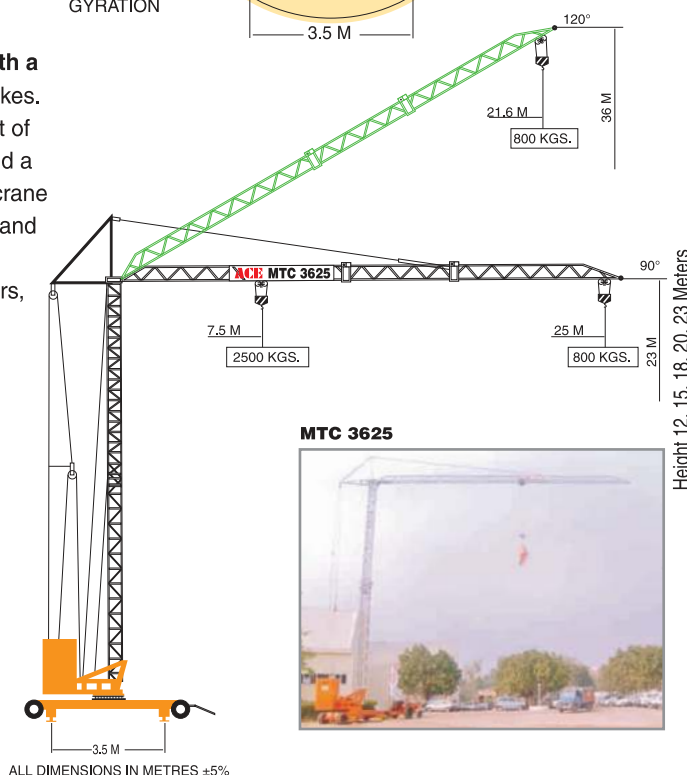

- To minimise dead weight for long distance transportation, the counter weight box is designed with trap doors to enable **general ballast use as counter weight**.

- The chassis design enables a short turning radius and **easy positioning**.



- Stabilizers are out and down type and can be reiterated into the lower chassis to satisfy **road clearance codes**.

- An **optional prime mover with a built-in 25KVA generator**, makes MTC-3625 totally independent of any outside electric source and a separate carrier vehicle. The crane uses only a part of the power and the generator can be used for other site equipment like mixers, vibrators and job site lighting systems.



Horizontal jib position	Height	23 mtrs.
	Reach	7.5 mtrs. 25 mtrs.
	Capacity	2500 Kgs. 800 Kgs.
Raised jib position	Height	36 mtrs.
	Reach	7.2 mtrs. 21.6 mtrs.
	Capacity	2500 Kgs. 800 Kgs.
Speed	Trolleying	30m/min.
	Hoisting	20m/min. & 40m/min.
	Slewing	1 RPM
Electrical motors	Trolleying	1.5 H.P.
	Hoisting	10.0 H.P.
	Slewing	2.0 H.P.
Electric Power		12.5 KVA
Total weight with Ballast		17000 Kgs.
Total weight without Ballast		8000 Kgs.
Transportation Dimensions	Width	2,5 mtrs.
	Length	11,5 mtrs.
	Height	3,2 mtrs.
Safety device		<ul style="list-style-type: none"> • Vfd • Circuit breakers • Overload limit switch • Moment limit switch • Hoist limit switch • Trolley limit switch
Optional		Prime mover fitted with 49 BHP, water cooled diesel engine and a 25 KVA alternator.

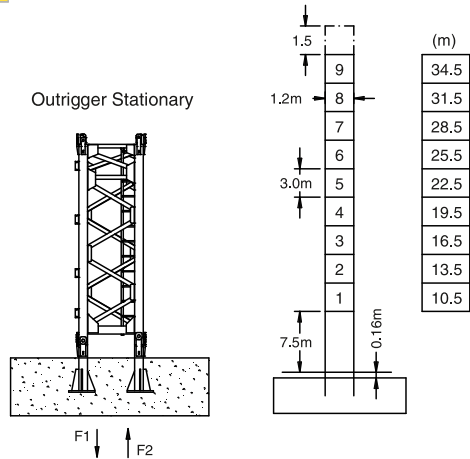
ALL DIMENSIONS IN METRES ±5%

TC 5034 Tower Crane

5 t

Load Capacity

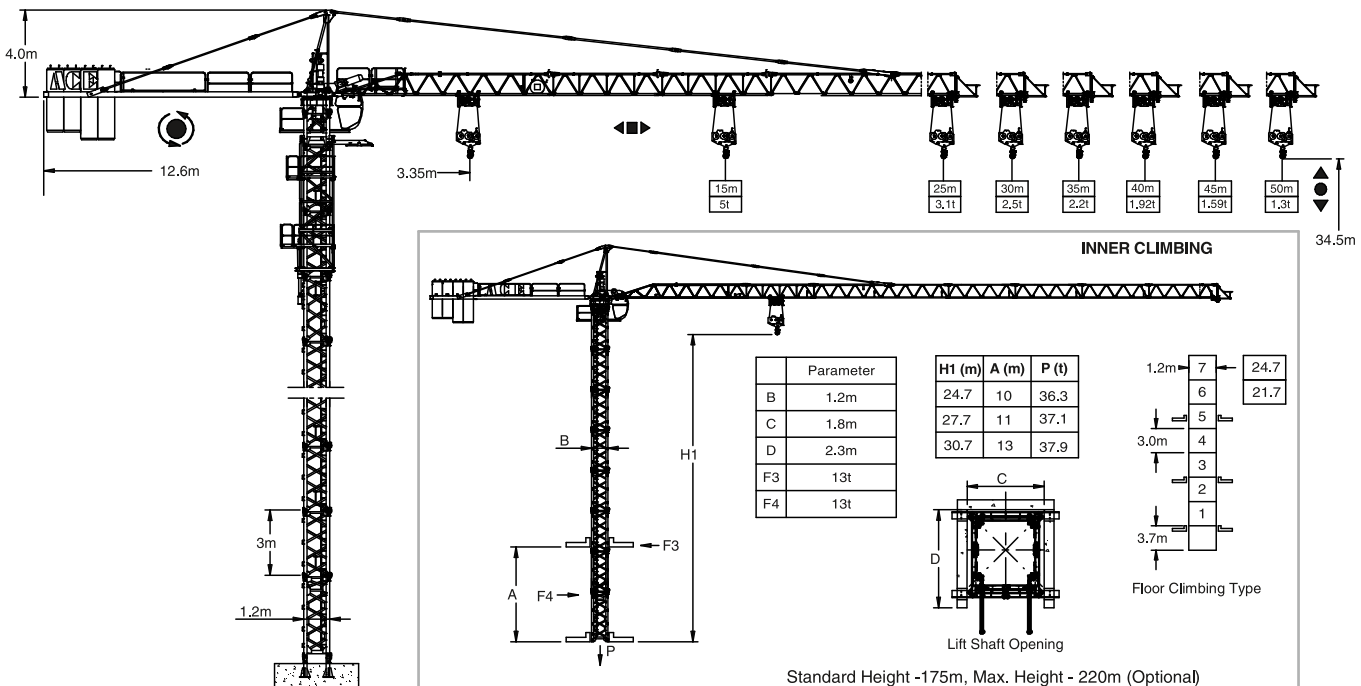
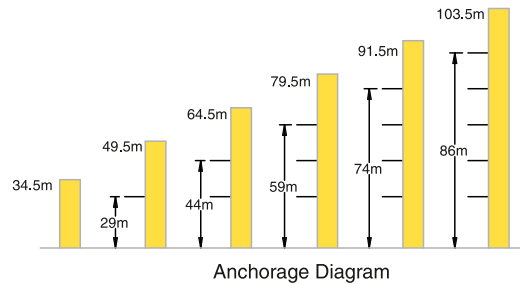
Jib Length (m)	Radius (m)		15	17	20	22	25	28	30	32	35	40	45	50	
	50m	Hoisting Load (t)		5.00	4.30	3.60	3.20	2.70	2.50	2.40	2.20	2.00	1.70	1.50	1.30
			2.50												
45m	Hoisting Load (t)		5.00	4.60	3.80	3.40	2.90	2.50	2.50	2.40	2.20	1.85	1.59		
			2.50												
40m	Hoisting Load (t)		5.00	4.80	3.90	3.50	3.00	2.50	2.50	2.45	2.20	1.92			
			2.50												
35m	Hoisting Load (t)		5.00	4.80	3.90	3.50	3.00	2.75	2.50	2.45	2.20				
			2.50												
30m	Hoisting Load (t)		5.00	4.80	3.90	3.50	3.00	2.75	2.50						
			2.50												
25m	Hoisting Load (t)		5.00	4.80	3.90	3.50	3.10								
			2.50												



Specifications

Hoisting	No of Falls							
	Speed (m/min)		7	35	70	3.5	17.5	35
	Hoisting Load (t)		2.6	2.6	1.3	5.0	5.0	2.6
	Power (kw)		3.5	18.0	18.0	3.5	18.0	18.0
Stewing	Speed (rpm)		0 ~ 0.8					
	Power (kw)		4					
Trolley	Speed (m/min)		40		20			
	Power (kw)		3.3		2.2			
Climbing	Speed (m/min)		0.55 - 0.7					
	Power (kw)		5.5					
Main Supply			415V / 50Hz					
Electric Power			25.3 kw (31.6 kVA)					

F1		75t		90t		
F2		55.5t		72.5t		22t



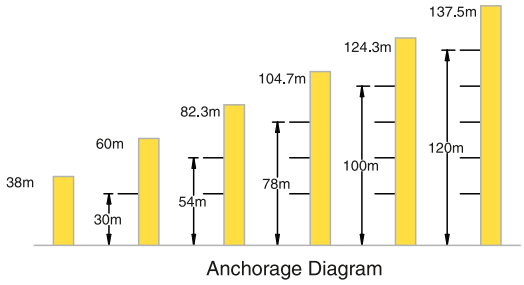
F Reaction In Service Out of Service Dead weight without load and counter weights but with longest jib and free standing height.

P - Vertical load

TC 5040C Tower Crane **5 t**

Load Capacity

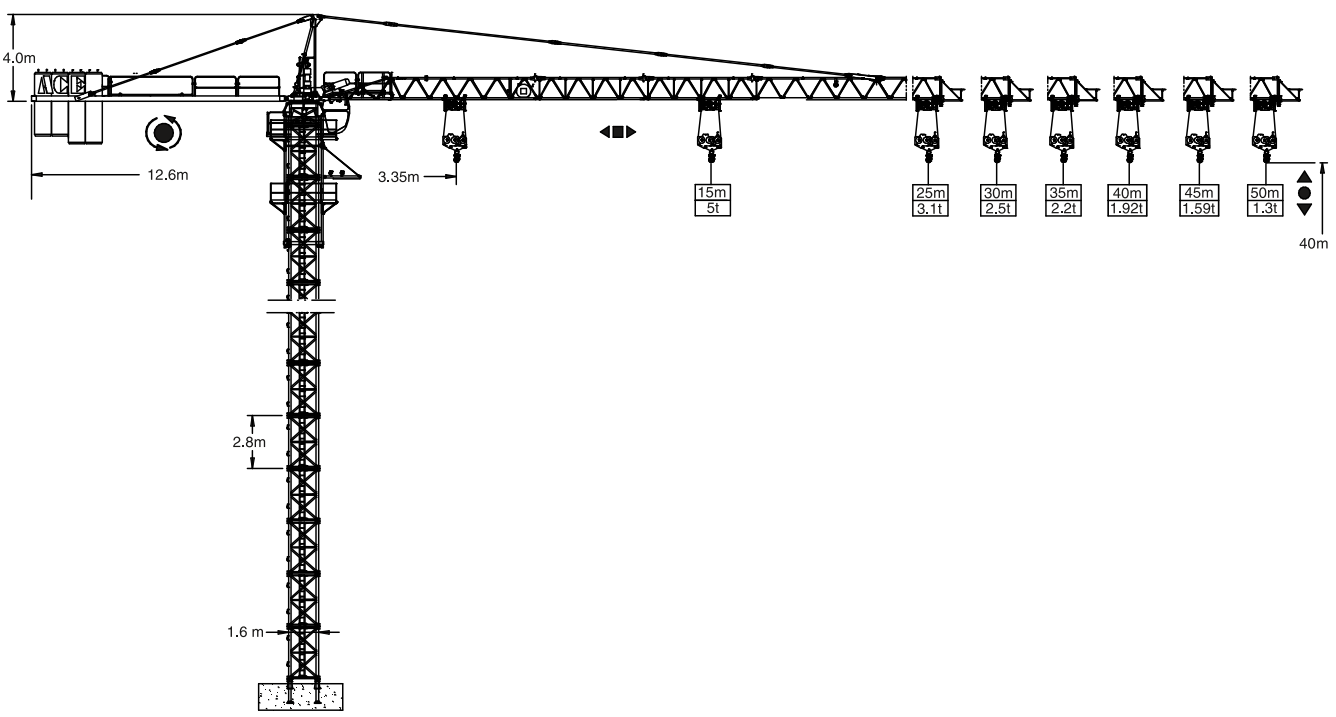
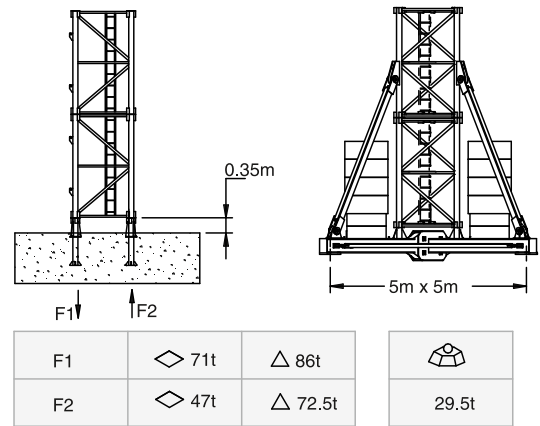
Jib Length	Radius (m)	Radius (m)											
		15	17	20	22	25	28	30	32	35	40	45	50
50m	Hoisting Load (t)	5.00	4.30	3.60	3.20	2.70	2.50	2.40	2.20	2.00	1.70	1.50	1.30
		2.50											
45m	Hoisting Load (t)	5.00	4.60	3.80	3.40	2.90	2.50	2.50	2.40	2.20	1.85	1.59	
		2.50											
40m	Hoisting Load (t)	5.00	4.80	3.90	3.50	3.00	2.50	2.50	2.45	2.20	1.92		
		2.50											
35m	Hoisting Load (t)	5.00	4.80	3.90	3.50	3.00	2.75	2.50	2.45	2.20			
		2.50											
30m	Hoisting Load (t)	5.00	4.80	3.90	3.50	3.00	2.75	2.50					
		2.50											
25m	Hoisting Load (t)	5.00	4.80	3.90	3.50	3.10							
		2.50											



Specifications

Hoisting	No of Falls	7		35		70		3.5		17.5		35	
	Speed (m/min)	7		35		70		3.5		17.5		35	
	Hoisting Load (t)	2.6		2.6		1.3		5.0		5.0		2.6	
	Power (kw)	3.5		18.0		18.0		3.5		18.0		18.0	
Slewing	Speed (rpm)	0 ~ 0.8											
	Power (kw)	4											
Trolley	Speed (m/min)	40						20					
	Power (kw)	3.3						2.2					
Climbing	Speed (m/min)	0.55 - 0.7											
	Power (kw)	5.5											
Main Supply	415V / 50Hz												
Electric Power	25.3 kw (31.7 kVA)												

Outrigger Stationary Chassis Stationary/Rail Mounted



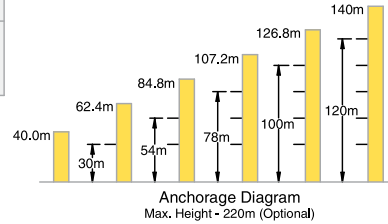
F Reaction ◇ In Service △ Out of Service ⬢ Dead weight without load and counter weights but with longest jib and free standing height.
P - Vertical load

FT 5040 Flat Top Tower Crane

5 t

Load Capacity

Jib Length 50m	Radius (m)	2.7-15.9	17	20	22	25	27	28	30	32	35	37	40	42	45	47	50
	Hoisting Load (t)	5.00	4.6	3.8	3.4	2.9	2.65	2.50	2.50	2.4	2.15	2.0	1.85	1.75	1.6	1.5	1.4
		2.50															
Jib Length 45m	Radius (m)	2.7-16.3	17	20	22	25	27	29	31	32	35	37	40	42	45		
	Hoisting Load (t)	5.00	4.8	3.9	3.5	3.0	2.75	2.50	2.50	2.45	2.2	2.1	1.9	1.8	1.65		
		2.50															
Jib Length 40m	Radius (m)	2.7-16.4	17	20	22	25	27	29	31	32	35	37	40				
	Hoisting Load (t)	5.00	4.8	3.9	3.5	3.0	2.75	2.50	2.50	2.45	2.2	2.1	1.9				
		2.50															
Jib Length 35m, 30m, 25m, 20m	Radius (m)	2.7-16.4	17	20	22	25	27	29	31	32	35						
	Hoisting Load (t)	5.00	4.8	3.9	3.5	3.0	2.75	2.50	2.50	2.45	2.2						
		2.50															



* Optional 2mtr. jib available.

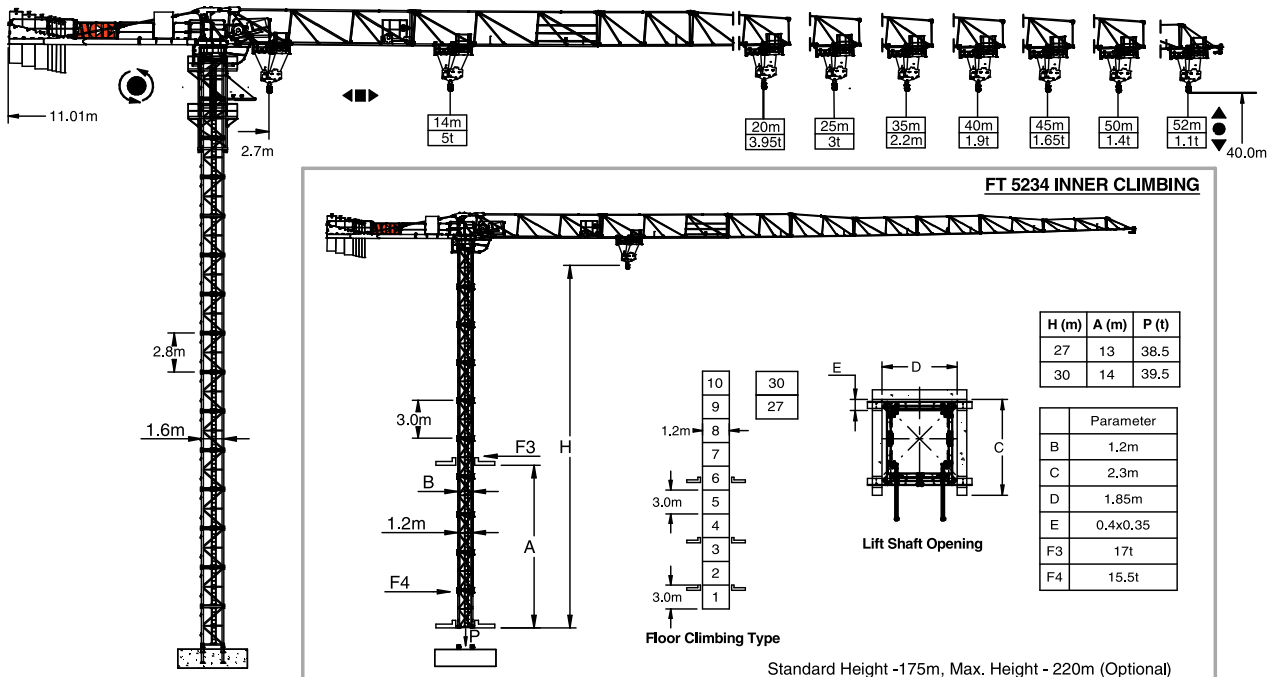
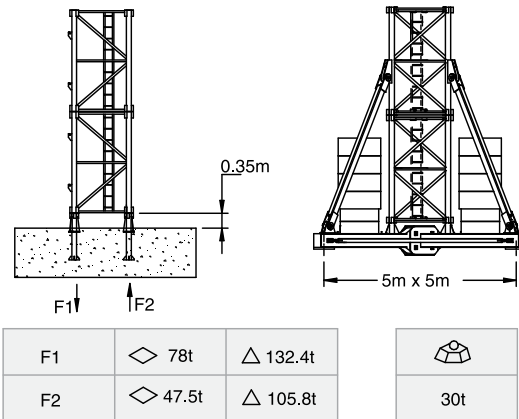
Jib Length 52m	Radius (m)	2.7-14	15	17	20	22	24	26	27	30	32	35	37	40	42	45	47	50	52
	Hoisting Load (t)	5.00	4.5	3.9	3.2	2.85	2.50	2.50	2.45	2.15	2.0	1.8	1.7	1.55	1.45	1.3	1.25	1.15	1.1
		2.50																	

Specifications

Hoisting	No of Falls	7	35	70	3.5	17.5	35
	Speed (m/min)	7	35	70	3.5	17.5	35
	Hoisting Load (t)	2.6	2.6	1.3	5.0	5.0	2.6
	Power (kw)	3.5	18.0	18.0	3.5	18.0	18.0
Slewing	Speed (rpm)	0 ~ 0.8					
	Power (kw)	4					
Trolley	Speed (m/min)	40		20			
	Power (kw)	3.3		2.2			
Climbing	Speed (m/min)	0.55 - 0.7					
	Power (kw)	5.5					
Main Supply	415V / 50Hz						
Electric Power	25.3 kw (31.6 kVA)						

Outrigger Stationary

Chassis Stationary/Rail Mounted



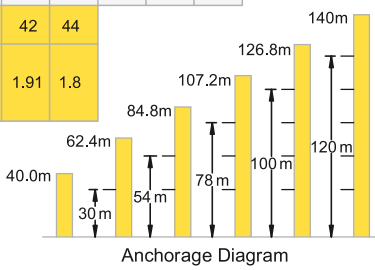
F Reaction ◇ In Service △ Out of Service ⊕ Dead weight without load and counter weights but with longest jib and free standing height.

P - Vertical load

TC 5540 Tower Crane **5 t**

Load Capacity

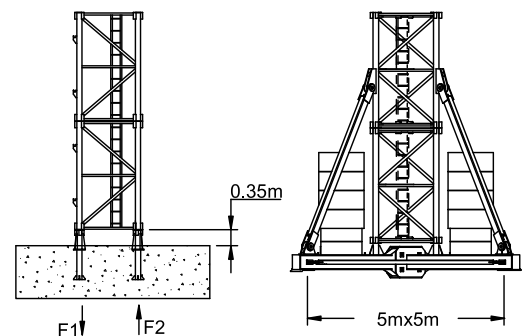
Jib Length 55m	Radius (m)	2.5-13.64	16	18	22	24	26	28	30	32	34	36	38	40	42	44	46	48	50	53	55
	Hoisting Load (t)	5.00	4.70	3.90	3.24	2.93	2.66	2.43	2.24	2.06	1.91	1.78	1.66	1.55	1.46	1.37	1.29	1.21	1.15	1.06	1.00
		2.50																			
Jib Length 50m	Radius (m)	2.5-16	18	22	24	26	28	30	32	34	36	38	40	42	44	46	48	50			
	Hoisting Load (t)	5.00	4.56	3.62	3.27	2.97	2.72	2.48	2.31	2.15	2.00	1.87	1.75	1.64	1.54	1.46	1.37	1.30			
		2.50																			
Jib Length 44m	Radius (m)	2.5-18	22	24	26	28	30	32	34	36	38	40	42	44							
	Hoisting Load (t)	5.00	4.14	3.74	3.43	3.13	2.88	2.67	2.48	2.31	2.16	2.03	1.91	1.8							
		2.50																			
Jib Length 38m	Radius (m)	2.5-18	22	24	26	28	30	32	34	36	38										
	Hoisting Load (t)	5.00	4.38	3.96	3.61	3.31	3.05	2.83	2.63	2.46	2.30										
		2.50																			



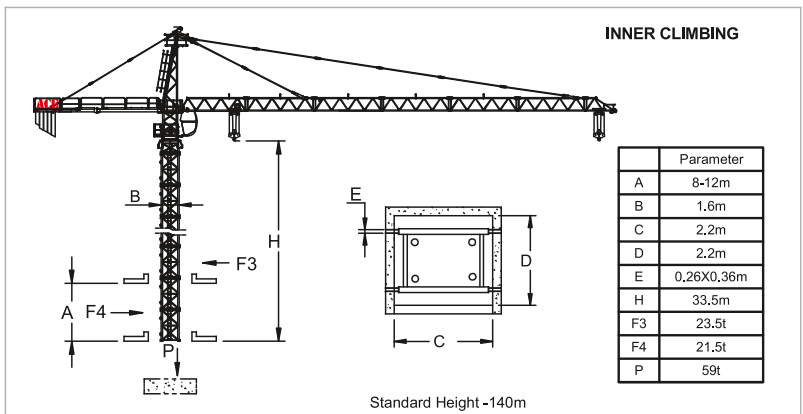
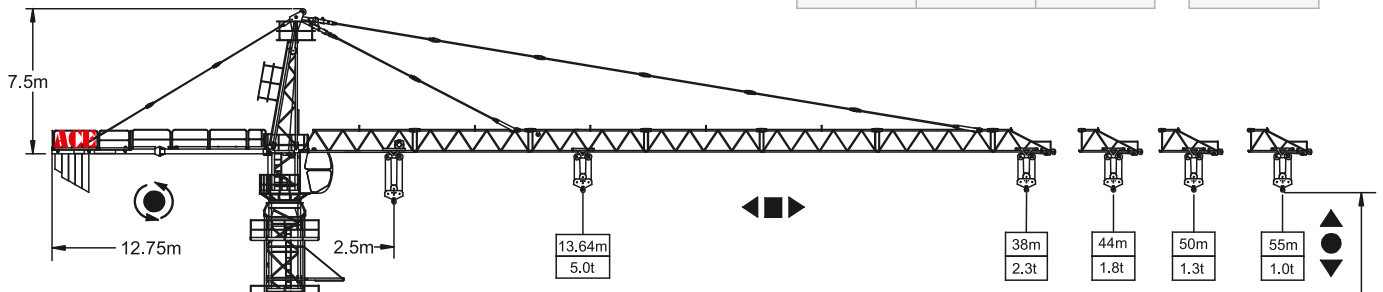
Specifications

Hoisting	No of Falls	☐	☐				
	Speed (m/min)	11.75	40	80	5.87	20	40
	Hoisting Load (t)	2.5	2.5	1.28	5	5	2.56
	Power (kw)	5	18	18	5	18	18
Slewing	Speed (rpm)	0 ~ 0.6					
	Power (kw)	2 x 2.2					
Trolley	Speed (m/min)	40		20			
	Power (kw)	3.3		2.2			
Climbing	Speed (m/min)	0.55 - 0.7					
	Power (kw)	5.5					
Main Supply	415V / 50Hz						
Electric Power	25.7kw (32.1 kVA)						
Variant Model	6 Ton Max. Capacity Mechanism at 13.64m						

Outrigger Stationary Chassis Stationary/Rail Mounted



F1	☐ 72t	△ 86t	☐ 32 t
F2	☐ 43t	△ 66t	



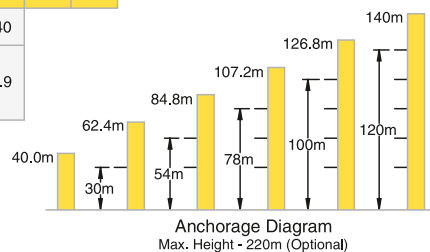
F Reaction ☐ In Service △ Out of Service ☐ Dead weight without load and counter weights but with longest jib and free standing height.
P - Vertical Load

FT 5540 Flat Top Tower Crane

5 t

Load Capacity

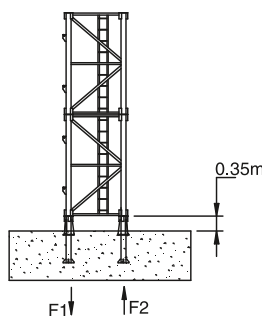
Jib Length	Radius (m)		2.7-14	15	17	20	22	24	26	27	30	32	35	37	40	42	45	47	50	52	55
	55m	Hoisting Load (t)		5.00	4.5	3.9	3.2	2.85	2.50	2.50	2.45	2.15	2.0	1.8	1.7	1.55	1.45	1.3	1.25	1.15	1.1
50m	Radius (m)		2.7-15.9		17	20	22	25	27	28	30	32	35	37	40	42	45	47	50		
	Hoisting Load (t)		5.00		4.6	3.8	3.4	2.9	2.65	2.50	2.50	2.4	2.15	2.0	1.85	1.75	1.6	1.5	1.4		
45m	Radius (m)		2.7-16.3		17	20	22	25	27	29	31	32	35	37	40	42	45				
	Hoisting Load (t)		5.00		4.8	3.9	3.5	3.0	2.75	2.50	2.50	2.45	2.2	2.1	1.9	1.8	1.65				
40m	Radius (m)		2.7-16.4		17	20	22	25	27	29	31	32	35	37	40						
	Hoisting Load (t)		5.00		4.8	3.9	3.5	3.0	2.75	2.50	2.50	2.45	2.2	2.1	1.9						
35m, 30m, 25m, 20m	Radius (m)		2.7-16.4		17	20	22	25	27	29	31	32	35								
	Hoisting Load (t)		5.00		4.8	3.9	3.5	3.0	2.75	2.50	2.50	2.45	2.2								



Specifications

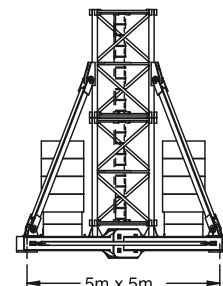
Hoisting	No of Falls						
	Speed (m/min)	7	35	70	3.5	17.5	35
	Hoisting Load (t)	2.6	2.6	1.3	5.0	5.0	2.6
	Power (kw)	3.5	18.0	18.0	3.5	18.0	18.0
Slewing	Speed (rpm)	0 ~ 0.6					
	Power (kw)	2 x 2.2					
Trolley	Speed (m/min)	40		20			
	Power (kw)	3.3		2.2			
Climbing	Speed (m/min)	0.55 - 0.7					
	Power (kw)	5.5					
Main Supply	415V / 50Hz						
Electric Power	25.7 kw (32.1 kVA)						

Outrigger Stationary

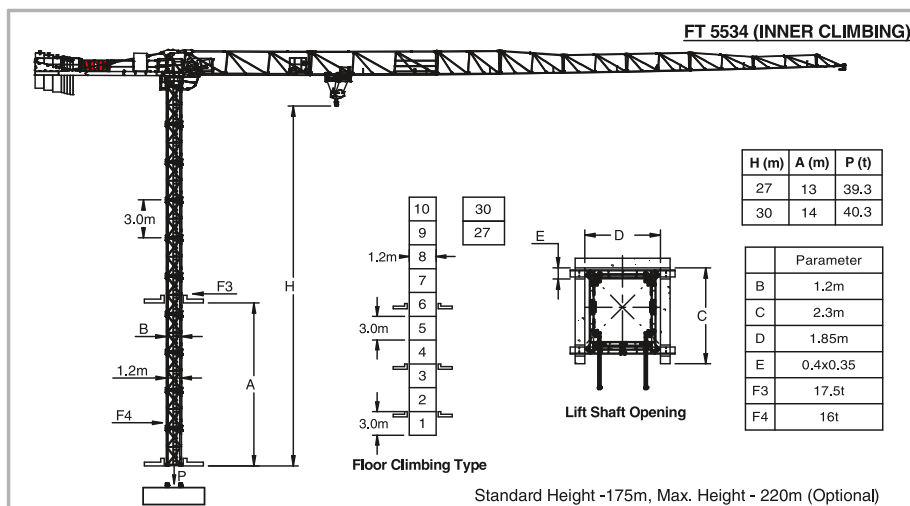
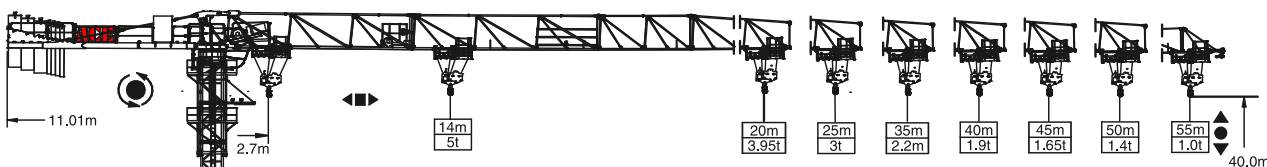


F1	◇ 81t	△ 134t
F2	◇ 50t	△ 108t

Chassis Stationary/Rail Mounted



31t



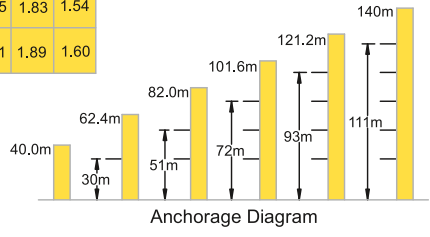
F Reaction ◇ In Service △ Out of Service Dead weight without load and counter weights but with longest jib and free standing height.

P - Vertical load

TC 6040 Tower Crane 5 t

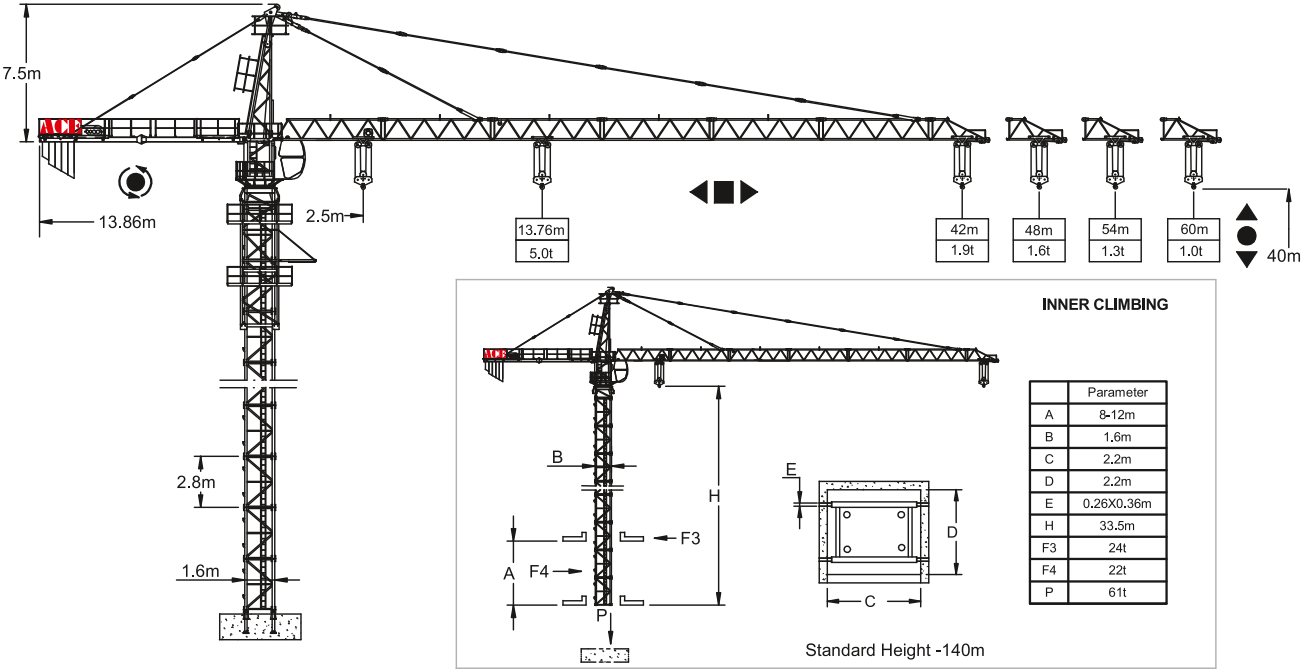
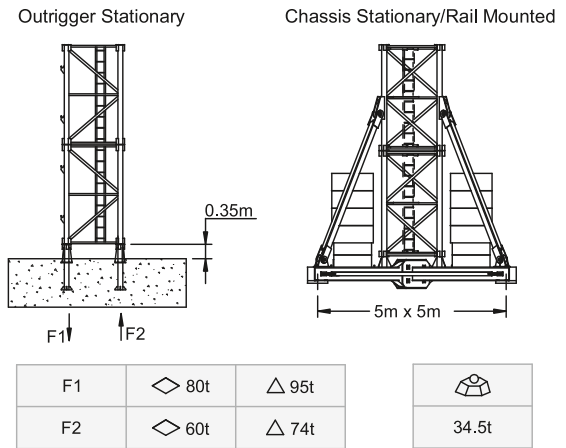
Load Capacity

Jib Length	Radius (m)	Radius (m)																					
		2.5-16	18	20	22	24	26	28	30	32	34	36	38	40	42	44	46	48	50	54	56	60	
60m	Hoisting Load (t)	5.00	4.40	3.90	3.48	3.14	2.85	2.61	2.40	2.21	2.05	1.91	1.78	1.66	1.56	1.46	1.38	1.30	1.23	1.10	1.08	0.94	
		2.50										2.27	2.11	1.97	1.84	1.72	1.62	1.52	1.44	1.36	1.29	1.16	1.14
54m	Radius (m)	2.5-16	18	20	22	24	26	28	30	32	34	36	38	40	42	44	46	48	54				
	Hoisting Load (t)	5.00	4.83	4.28	3.83	3.46	3.15	2.88	2.65	2.45	2.27	2.12	1.98	1.85	1.74	1.64	1.54	1.46	1.24				
48m	Radius (m)	2.5-18	20	22	24	26	28	30	32	34	36	38	40	42	48								
	Hoisting Load (t)	5.00	4.48	4.01	3.63	3.30	3.02	2.78	2.57	2.39	2.23	2.08	1.95	1.83	1.54								
42m	Radius (m)	2.5-18	20	22	24	26	28	30	32	34	36	42											
	Hoisting Load (t)	5.00	4.48	4.01	3.63	3.30	3.02	2.78	2.57	2.39	2.23	1.83											
		2.50										2.29	1.90										



Specifications

Hoisting	No of Falls	⚙		⚙			
	Speed (m/min)	11.75	40	80	5.87	20	40
	Hoisting Load (t)	2.5	2.5	1.28	5	5	2.56
	Power (kw)	5	18	18	5	18	18
Slewing	Speed (rpm)	0 ~ 0.6					
	Power (kw)	2 x 2.2					
Trolley	Speed (m/min)	20		40			
	Power (kw)	2.2		3.3			
Climbing	Speed (m/min)	0.55 - 0.7					
	Power (kw)	7.5					
Main Supply	415V / 50Hz						
Electric Power	25.7 kw (32.1kVA)						
Variant Model	6 Ton Max. Capacity Mechanism at 13.76m						



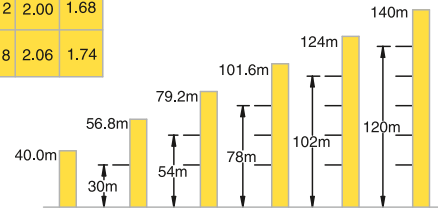
F Reaction ◇ In Service △ Out of Service ⚙ Dead weight without load and counter weights but with longest jib and free standing height.
P - Vertical Load

TC 6040B Tower Crane

5 t

Load Capacity

Jib Length 60m	Radius (m)	2.5-18	20	22	24	26	28	30	32	34	36	38	40	42	44	46	48	50	54	60	
	Hoisting Load (t)		5.00	4.51	4.04	3.65	3.32	3.04	2.80	2.59	2.41	2.24	2.10	1.97	1.85	1.74	1.64	1.55	1.47	1.32	1.14
			2.50										2.30	2.16	2.03	1.91	1.80	1.70	1.61	1.53	1.38
Jib Length 54m	Radius (m)	2.5-19	20	22	24	26	28	30	32	34	36	38	40	42	44	46	48	54			
	Hoisting Load (t)		5.00	4.83	4.33	3.92	3.57	3.27	3.02	2.79	2.60	2.42	2.26	2.12	2.00	1.88	1.78	1.68	1.44		
			2.50										2.32	2.18	2.06	1.94	1.84	1.74	1.50		
Jib Length 48m	Radius (m)	2.5-19	20	22	24	26	28	30	32	34	36	38	40	42	48						
	Hoisting Load (t)		5.00	4.83	4.33	3.92	3.57	3.27	3.02	2.79	2.60	2.42	2.26	2.12	2.00	1.68					
			2.50										2.32	2.18	2.06	1.74					
Jib Length 42m, 36m	Radius (m)	2.5-19	20	22	24	26	28	30	32	34	36	42									
	Hoisting Load (t)		5.00	4.83	4.33	3.92	3.57	3.27	3.02	2.79	2.60	2.42	2.00								
			2.50										2.06								

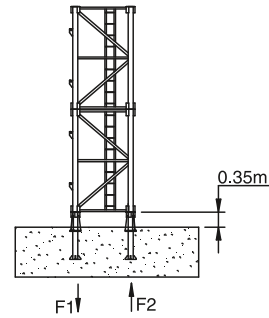


Anchorage Diagram

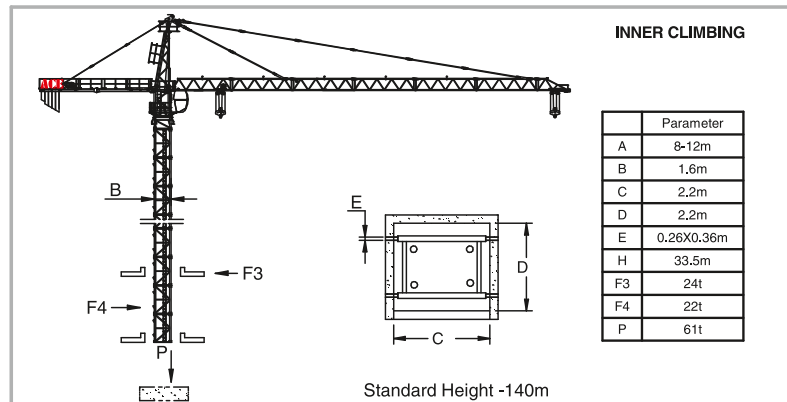
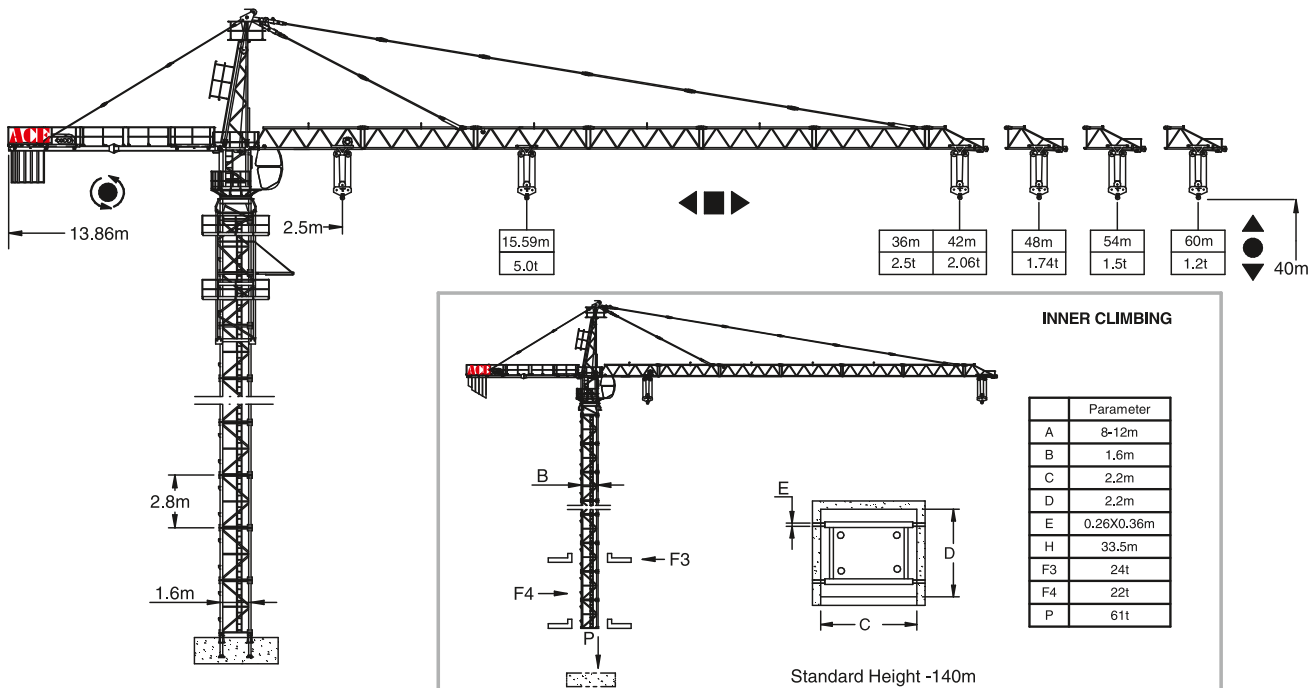
Specifications

Hoisting	No of Falls							
	Speed (m/min)		11.75	40	80	5.87	20	40
	Hoisting Load (t)		2.5	2.5	1.28	5	5	2.56
	Power (kw)		5	18	18	5	18	18
Slewing	Speed (rpm)		0 ~ 0.6					
	Power (kw)		2 x 2.2					
Trolley	Speed (m/min)		20		40			
	Power (kw)		2.2		3.3			
Climbing	Speed (m/min)		0.55 - 0.7					
	Power (kw)		7.5					
Main Supply		415V / 50Hz						
Electric Power		25.7 kw (32.1kVA)						
Variant Model		6 Ton. Max Capacity Mechanism at 15.53 M						

Outrigger Stationary



F1		81t		96t		
F2		61t		75t		34.8t



Standard Height -140m

F Reaction In Service Out of Service Dead weight without load and counter weights but with longest jib and free standing height.
P - Vertical Load

FT 6040 Flat Top Tower Crane

5 t

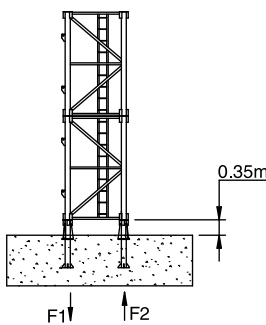
Load Capacity

Jib Length 60m	Radius (m)	2.5-20	22.5	25	27.5	30	32.94	35	37.5	40	42.5	45	47.5	50	52.5	55	57.5	60		
	Hoisting Load (t)	5.00	4.66	4.1	3.65	3.27	2.9	2.68	2.45	2.24	2.06	1.9	1.76	1.63	1.52	1.41	1.32	1.2		
		2.50										2.34	2.16	2.0	1.86	1.73	1.62	1.51	1.42	1.3
Jib Length 55m	Radius (m)	2.5-22.5	25	27.5	30	34.78	35	37.5	40	42.5	45	47.5	50	52.5	55					
	Hoisting Load (t)	5.00	4.38	3.9	3.5	2.9	2.88	2.63	2.41	2.22	2.05	1.9	1.77	1.65	1.5					
		2.50										2.32	2.15	2.0	1.87	1.75	1.6			
Jib Length 50m	Radius (m)	2.5-23	25	27.5	30	32.5	37.17	37.5	40	42.5	45	47.5	50							
	Hoisting Load (t)	5.00	4.74	4.23	3.8	3.44	2.9	2.87	2.64	2.43	2.25	2.09	1.9							
		2.50										2.35	2.19	2.0						
Jib Length 45m	Radius (m)	2.5-25	27.5	30	32.5	35	38.5	40	42.5	45										
	Hoisting Load (t)	5.00	4.44	3.96	3.59	3.27	2.9	2.76	2.55	2.3										
		2.50										2.4								
Jib Length 40m,35m 30m	Radius (m)	2.5-25	27.5	30	32.5	35	39.76	40												
	Hoisting Load (t)	5.00	4.58	4.12	3.74	3.41	2.9	2.8												
		2.50																		

Specifications

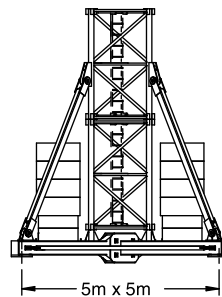
Hoisting	No of Falls						
	Speed (m/min)	11.75	40	80	6.2	20	40
	Hoisting Load (t)	2.5	2.5	1.28	5	5	2.56
	Power (kw)	5	18	18	5	18	18
Slewing	Speed (rpm)	0 - 0.6					
	Power (kw)	2 x 4kw					
Trolley	Speed (m/min)	40		20			
	Power (kw)	3.3		2.2			
Climbing	Speed (m/min)	0.55 - 0.7					
	Power (kw)	7.5					
Main Supply	415V / 50Hz						
Electric Power	29.3kw (36.6 kVA)						

Outrigger Stationary

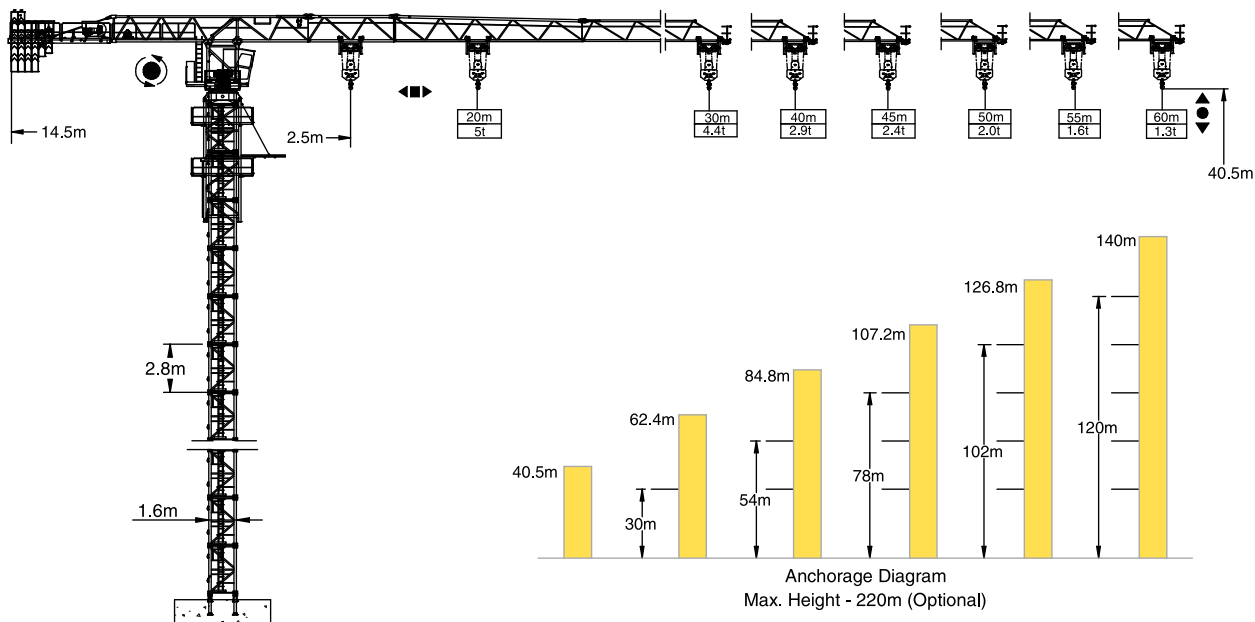


F1	◇ 106t	△ 252t
F2	◇ 79t	△ 215t

Chassis Stationary/Rail Mounted



35t



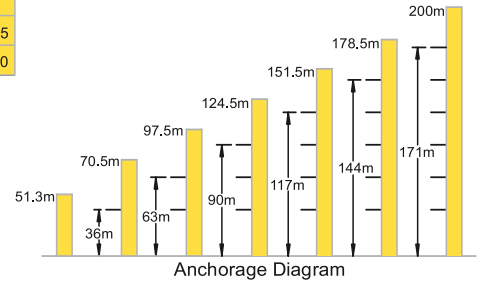
F Reaction ◇ In Service △ Out of Service Dead weight without load and counter weights but with longest jib and free standing height.
P - Vertical Load

TC 6552 Tower Crane

10 t

Load Capacity

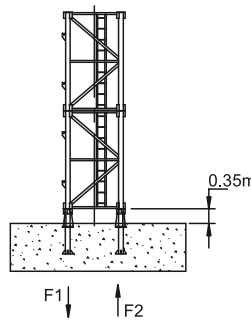
Jib Length 65m	Radius (m)	3.2~15.68	18	20	22	25	28	30	32	35	38	40	42	45	48	50	52	55	58	60	63	65
	Hoisting Load (t)	10.00	8.48	7.47	6.65	5.68	4.92	4.51	4.15	3.68	3.30	3.07	2.87	2.60	2.36	2.22	2.09	1.92	1.76	1.66	1.53	1.45
Jib Length 60m	Radius (m)	3.2~17.2	18	20	22	25	28	30	32	35	38	40	42	45	48	50	52	55	58	60		
	Hoisting Load (t)	10.00	9.48	8.36	7.45	6.38	5.55	5.09	4.69	4.18	3.75	3.50	3.28	2.98	2.72	2.57	2.42	2.23	2.05	1.95		
Jib Length 55m	Radius (m)	3.2~18.27	20	22	25	28	30	32	35	38	40	42	45	48	50	53	55					
	Hoisting Load (t)	10.00	9.04	8.02	6.70	5.99	5.50	5.07	4.53	4.07	3.81	3.57	3.25	2.97	2.81	2.58	2.45					
Jib Length 50m	Radius (m)	3.2~18.88	20	22	25	28	30	32	35	38	40	42	45	48	50							
	Hoisting Load (t)	10.00	9.34	8.35	7.16	6.24	5.74	5.30	4.73	4.26	3.98	3.74	3.41	3.12	2.95							
Jib Length 45m,40m	Radius (m)	3.2~21.1	22	25	28	30	32	35	38	40	42	45										
	Hoisting Load (t)	10.00	9.55	8.22	7.19	6.61	6.11	5.48	4.95	4.64	4.36	3.95										



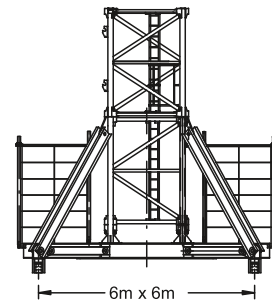
Specifications

Hoisting	No of Falls		
	Speed (m/min)	0 ~ 45	0 ~ 90
	Hoisting Load (t)	5.0	10.0
	Power (kw)	45	45
Slewing	Speed (rpm)	0 ~ 0.6	
	Power (kw)	2 x 5.5	
Trolley	Speed (m/min)	0 ~ 60	
	Power (kw)	5.5	
Climbing	Speed (m/min)	0.6	
	Power (kw)	11	
Main Supply	415V / 50Hz		
Electric Power	61.5kw (76.9kVA)		

Outrigger Stationary

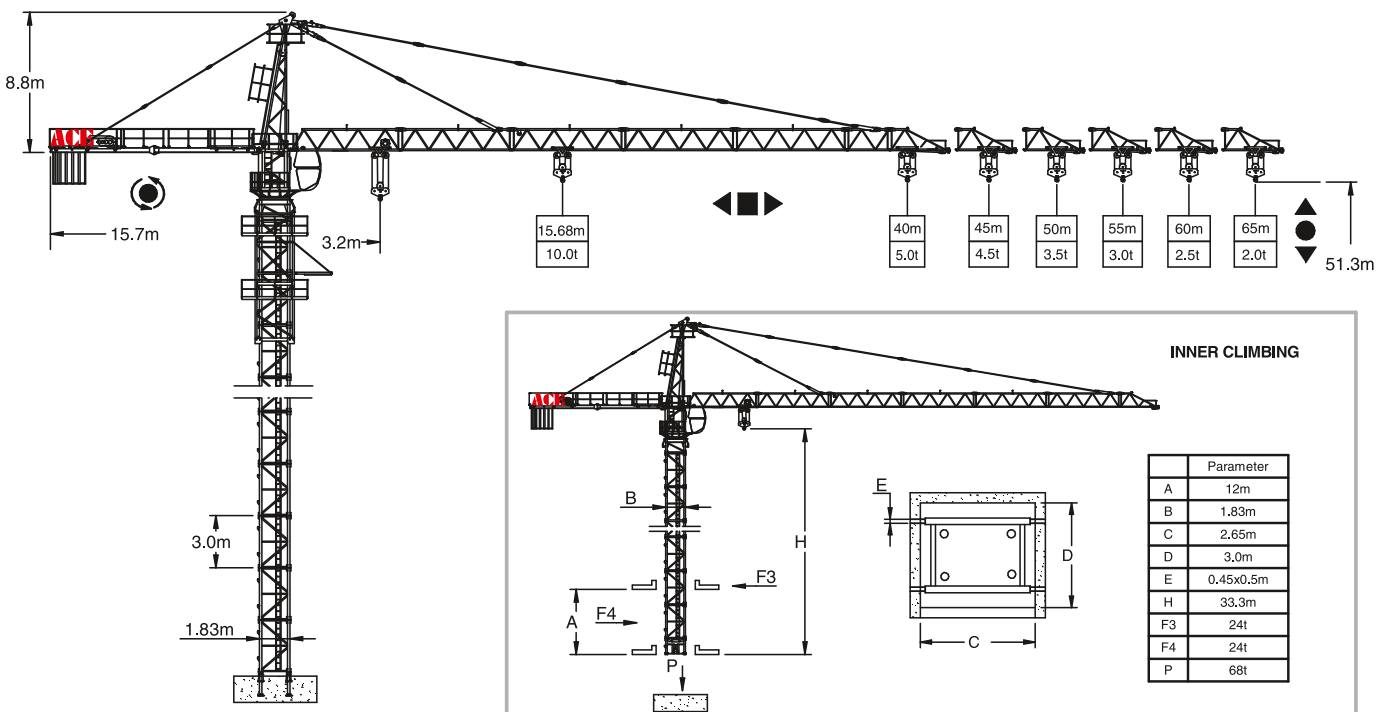


Chassis Stationary/Rail Mounted



F1		112t		166t
F2		66t		86t

	58t
--	-----



INNER CLIMBING

Parameter	Value
A	12m
B	1.83m
C	2.65m
D	3.0m
E	0.45x0.5m
H	33.3m
F3	24t
F4	24t
P	68t

F Reaction In Service Out of Service Dead weight without load and counter weights but with longest jib and free standing height.
P Vertical Load

TC 7054 Tower Crane

16 t

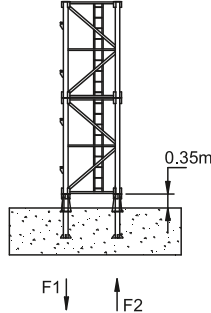
Load Capacity

Jib Length 70m	Radius (m)	3.75~18.0	23	25	30	35	40	45	50	55	60	65	70
	Hoisting Load (t)	16.00	12.30	11.20	8.90	7.34	6.16	5.26	4.55	3.95	3.48	3.07	2.72
		8.00											
Jib Length 65m	Radius (m)	3.75~19.7	23	25	30	35	40	45	50	55	60	65	
	Hoisting Load (t)	16.00	13.30	12.0	9.67	7.99	6.74	5.77	5.01	4.38	3.86	3.42	
		8.00											
Jib Length 60m	Radius (m)	3.75~20.5	23	25	30	35	40	45	50	55	60		
	Hoisting Load (t)	16.00	14.0	12.7	10.2	8.44	7.14	6.13	5.32	4.67	4.12		
		8.00											
Jib Length 55m	Radius (m)	3.75~21.3	23	25	30	35	40	45	50	55			
	Hoisting Load (t)	16.00	14.6	13.3	10.7	8.85	7.49	6.44	5.60	4.92			
		8.00											
Jib Length 50m	Radius (m)	3.75~22.2	25	30	35	40	45	50					
	Hoisting Load (t)	16.00	13.9	11.2	9.41	7.89	6.80	5.92					
		8.00											
Jib Length 45m	Radius (m)	3.75~23.7	25	30	35	40	45						
	Hoisting Load (t)	16.00	15.10	12.2	10.10	8.60	7.42						
		8.00											
Jib Length 40m	Radius (m)	3.75~24	25	30	35	40							
	Hoisting Load (t)	16.00	15.3	12.3	10.3	8.72							
		8.00											

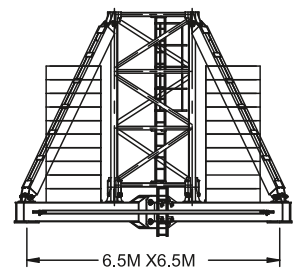
Specifications

Hoisting	No of Falls	3	4	5	6
	Speed (m/min)	0 ~ 37.5	0 ~ 75	0 ~ 18.75	0 ~ 37.5
	Hoisting Load (t)	8.0	3.0	16.0	6.0
	Power (kw)	60	60	60	60
Slewing	Speed (rpm)	0 ~ 0.8			
	Power (kw)	2 x 9			
Trolley	Speed (m/min)	0 ~ 58			
	Power (kw)	7.5			
Climbing	Speed (m/min)	0.5			
	Power (kw)	15			
Main Supply	415V / 50Hz				
Electric Power	85.5 kw (106.87kVA)				

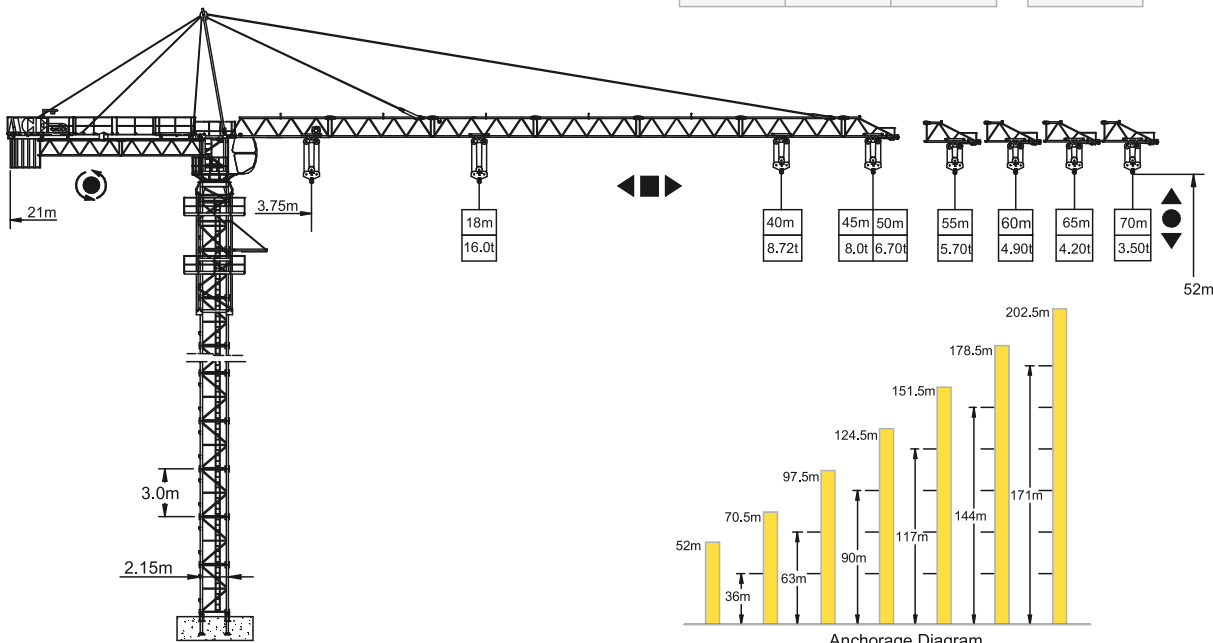
Outrigger Stationary



Chassis Stationary/Rail Mounted



F1	◇ 241.8t	△ 237.7t	⊙
F2	◇ 184.7t	△ 183.7t	87t



F Reaction ◇ In Service △ Out of Service ⊙ Dead weight without load and counter weights but with longest jib and free standing height.
P Vertical Load

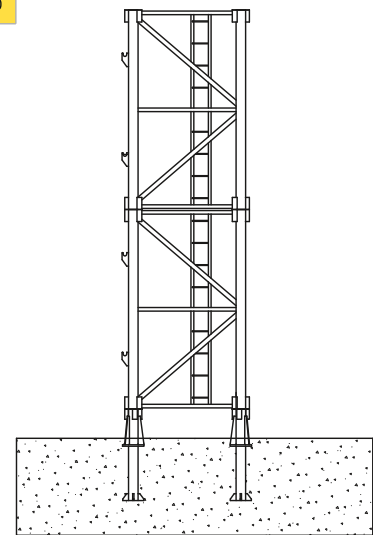
TC 7059 Tower Crane

20 t

Load Capacity

Jib Length	Radius (m)		3.5-21.19	25	30	35	38	40	43	45	48	50	53	55	58	60	63	65	68	70	
	70m	Hoisting Load (t)		20.00	16.42	13.16	10.86	9.78	9.15	8.32	7.83	7.17	6.77	6.24	5.92	5.47	5.20	4.83	4.60	4.29	4.09
			10.00						9.43	8.94	8.28	7.88	7.35	7.03	6.58	6.31	5.94	5.71	5.40	5.20	
Jib Length 65m	Radius (m)		3.5-21.72	25	30	35	38	40	43	45	48	50	53	55	58	60	63	65			
	Hoisting Load (t)		20.00	16.92	13.57	11.21	10.10	9.45	8.60	8.10	7.42	7.02	6.47	6.14	5.68	5.41	5.02	4.79			
			10.00						9.71	9.21	8.53	8.13	7.58	7.25	6.79	6.52	6.13	5.90			
Jib Length 60m	Radius (m)		3.5-22.46	25	30	35	38	40	43	45	48	50	53	55	58	60					
	Hoisting Load (t)		20.00	17.62	14.15	11.70	10.55	9.88	9.00	8.48	7.78	7.36	6.79	6.45	5.98	5.69					
			10.00						9.59	8.89	8.47	7.90	7.56	7.09	6.80						
Jib Length 55m	Radius (m)		3.5-22.80	25	30	35	38	40	43	45	48	50	53	55							
	Hoisting Load (t)		20.00	17.94	14.42	11.93	10.76	10.08	9.18	8.65	7.94	7.52	6.94	6.59							
			10.00						9.76	9.05	8.63	8.05	7.70								
Jib Length 50,45,40m	Radius (m)		3.5-22.96	25	30	35	38	40	43	45	48	50									
	Hoisting Load (t)		20.00	18.09	14.54	12.04	10.86	10.17	9.27	8.74	8.02	7.59									
			10.00						9.85	9.13	8.70										

Outrigger Stationary

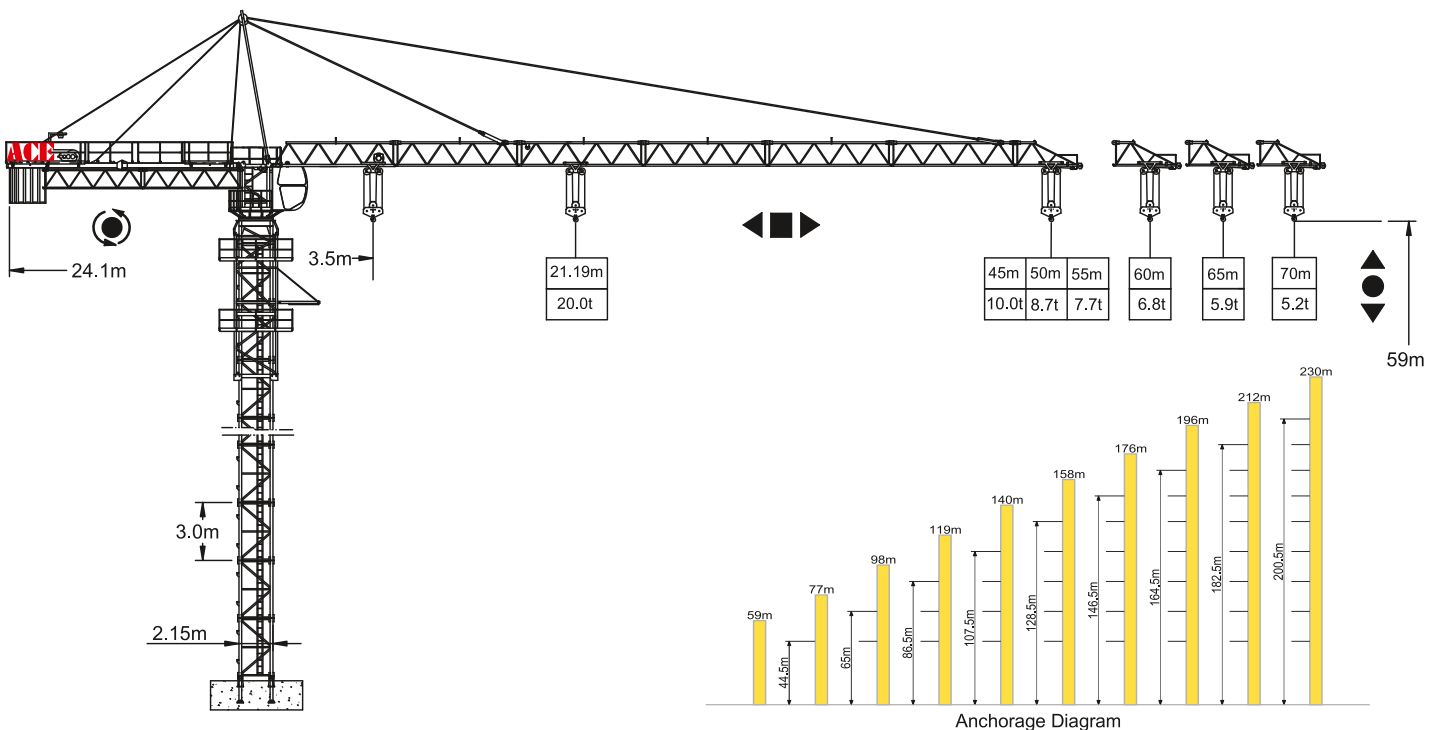


F1 ↓ ↑ F2

F1	◇ 143t	△ 171t	
F2	◇ 240t	△ 256t	141t

Specifications

Hoisting	No of Falls					
			Speed (m/min)	0 ~ 45	0 ~ 96	0 ~ 22
Hoisting Load (t)			10.0	5.0	20.0	10.0
Power (kw)			90	90	90	90
Slewing		Speed(rpm)	0 ~ 0.72			
		Power(kw)	3 x 5.5			
Trolley		Speed(m/min)	0 ~ 100			
		Power(kw)	11			
Climbing		Speed(m/min)	0.46			
		Power(kw)	11			
Main Supply	415V / 50Hz					
Electric Power	117.5 kw (146.9 kVA)					



Anchorage Diagram

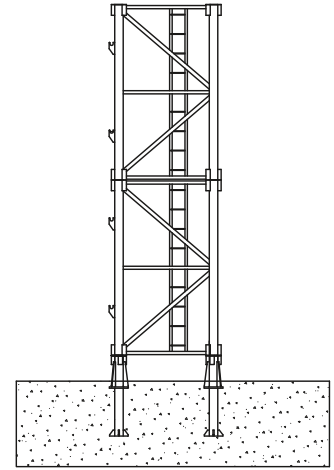
F Reaction ◇ In Service △ Out of Service Dead weight without load and counter weight but with longest jib and free standing height.

TC 7074 Tower Crane 25 t

Load Capacity

Jib Length 70m	Radius (m)	3.5~17.52	20	25	30	35	38	40	43	45	48	50	53	55	58	60	63	65	68	70																																													
	Hoisting Load (t)	25.00	21.41	16.42	13.16	10.86	9.78	9.15	8.32	7.83	7.17	6.77	6.24	5.92	5.47	5.20	4.83	4.60	4.29	4.09																																													
		12.50				11.97				10.89				10.26				9.43				8.94				8.28				7.88				7.35				7.03				6.58				6.31				5.94				5.71				5.40				5.20			
Jib Length 65m	Radius (m)	3.5~17.95	25	30	35	38	40	43	45	48	50	53	55	58	60	63	65																																																
	Hoisting Load (t)	25.00	16.92	13.57	11.21	10.10	9.45	8.60	8.10	7.42	7.02	6.47	6.14	5.68	5.41	5.02	4.79																																																
		12.50				11.21				10.56				9.71				9.21				8.53				8.13				7.58				7.25				6.79				6.52				6.13				5.90															
Jib Length 60m	Radius (m)	3.5~18.56	25	30	35	38	40	43	45	48	50	53	55	58	60																																																		
	Hoisting Load (t)	25.00	17.62	14.15	11.70	10.55	9.88	9.00	8.48	7.78	7.36	6.79	6.45	5.98	5.69																																																		
		12.50				11.66				10.99				10.11				9.59				8.89				8.47				7.90				7.56				7.09				6.80																							
Jib Length 55m	Radius (m)	3.5~18.85	25	30	35	38	40	43	45	48	50	53	55																																																				
	Hoisting Load (t)	25.00	17.94	14.42	11.93	10.76	10.08	9.18	8.65	7.94	7.52	6.94	6.59																																																				
		12.50				11.87				11.19				10.29				9.76				9.05				8.63				8.05				7.70																															
Jib Length 50,45,40m	Radius (m)	3.5~18.97	25	30	35	38	40	43	45	48	50																																																						
	Hoisting Load (t)	25.00	18.09	14.54	12.04	10.86	10.17	9.27	8.74	8.02	7.59																																																						
		12.50				11.97				11.28				10.38				9.85				9.13				8.70																																							

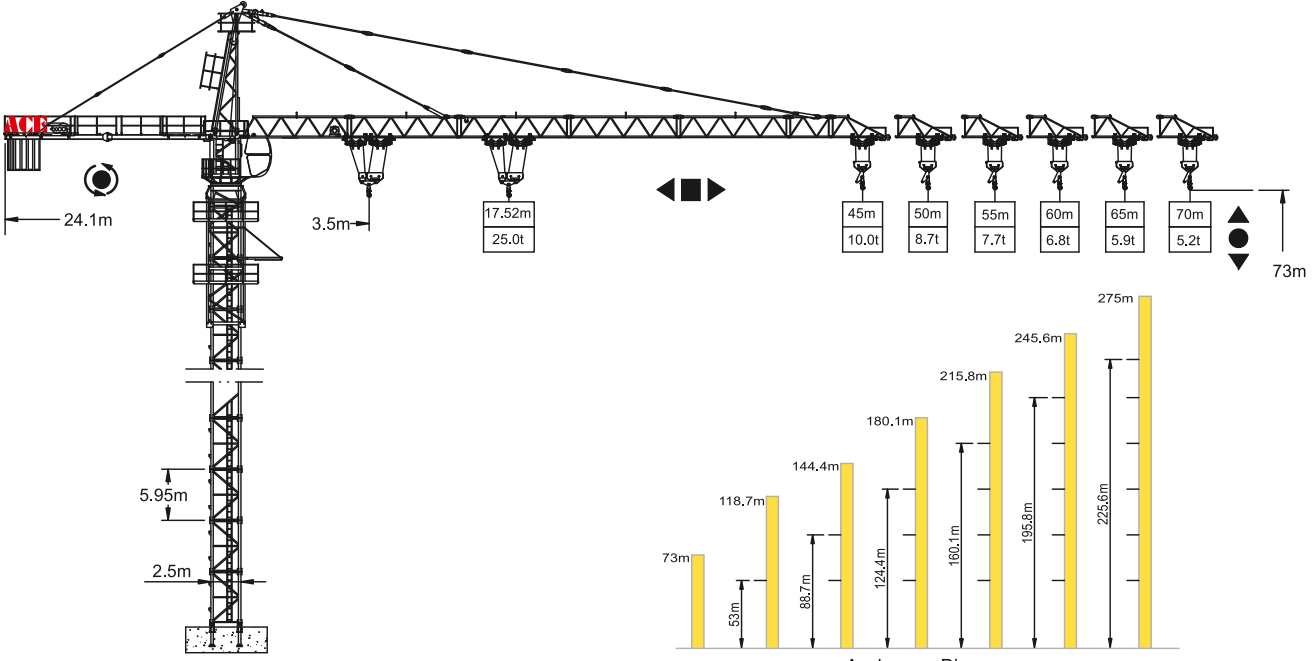
Outrigger Stationary



F1	◇ 143t	△ 171t	⊗ 141t
F2	◇ 240t	△ 256t	141t

Specifications

Hoisting	No of Falls	▲	▼		
	Speed (m/min)	0 ~ 45	45 ~ 90	0 ~ 22	22 ~ 45
	Hoisting Load (t)	12.5	6.3	25.0	12.5
	Power (kw)	110	110	110	110
Slewing	Speed (rpm)	0 ~ 0.72			
	Power (kw)	3 x 5.5			
Trolley	Speed (m/min)	0 ~ 100			
	Power (kw)	11			
Climbing	Speed (m/min)	0.46			
	Power (kw)	11			
Main Supply	415V / 50Hz				
Electric Power	110 kw (137.5kVA)				



Anchorage Diagram

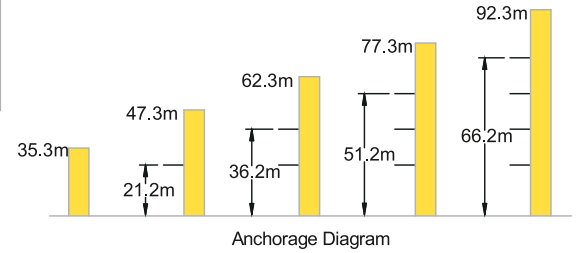
F Reaction ◇ In Service △ Out of Service ⊗ Dead weight without load and counter weights but with longest jib and free standing height.

LC 85 Luffing Crane

6 t

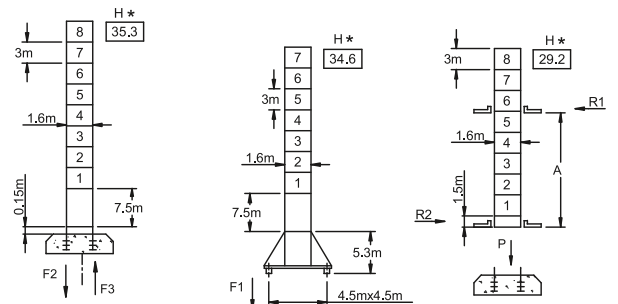
Load Capacity

Jib Length	Radius (m)	Hoisting Load (t)							
		4~18	20	25	28.5	30	32	35	40
40m	6.0	6.0	5.2	3.7	2.9	2.6	2.3	1.9	1.4
	3.0	3.0			2.7	2.4	2.0	1.5	
35m	6.0	6.0	5.2	3.7	2.9	2.6	2.3	1.9	
	3.0	3.0			2.7	2.4	2.0		

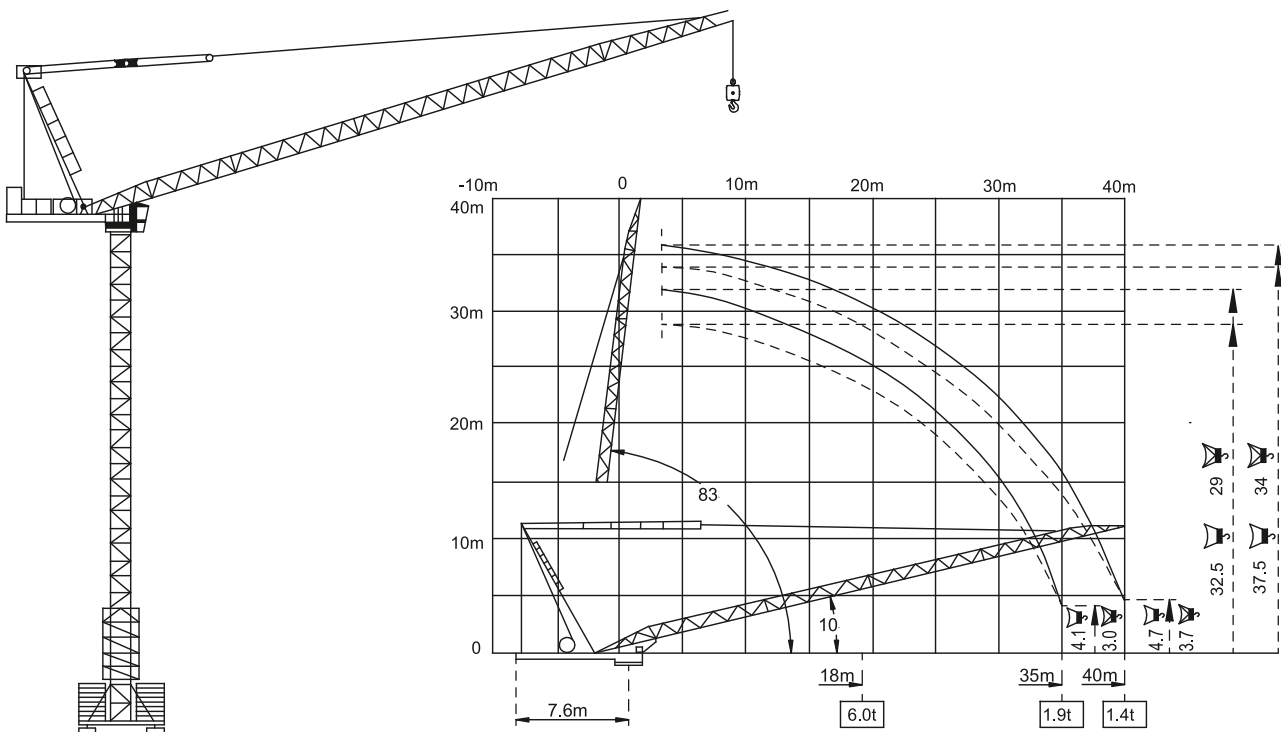


Specifications

Hoisting	No of Falls	Icon 1			Icon 2			
		Speed (m/min)	Hoisting Load (t)	Power (kw)	Speed (rpm)	Power (kw)		
Speed (m/min)	3	0 ~ 40	0 ~ 66	0 ~ 80	0 ~ 20	0 ~ 33	0 ~ 40	
Hoisting Load (t)	3	3.0	1.8	1.5	6.0	3.6	3.0	
Power (kw)	24	24	24	24	24	24	24	
Slewing	Icon	Speed (rpm)	0 ~ 0.7				Power (kw)	6
Travelling	Icon	Speed (rpm)	0 ~ 25				Power (kw)	2 x 5.2
Luffing	Icon	Speed (m/min)	≤ 3.0				Power (kw)	24
Main Supply	415V / 50Hz							
Electric Power	54 kw (67.5 kVA)							



F2	◇ 90t	△ 142t	⬢ 38.5t	F1	◇ 60t	△ 81t	A	7m	11m
F3	◇ 62t	△ 117t	38.5t			38.5t	R1	23t	15t
							R2	20t	13t
							P	48t	48t
									37t

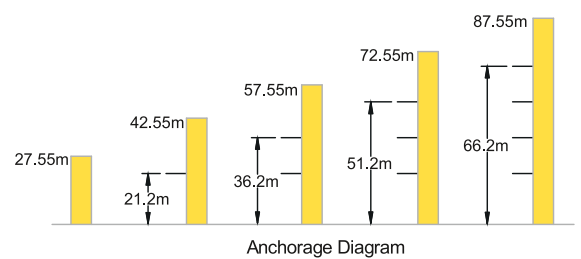


F Reaction ◇ In Service △ Out of Service ⬢ Dead weight without load and counter weights but with longest jib and free standing height.
 P Vertical Load H Free Standing Height Jib * 40m

LC 120 Luffing Crane **8 t**

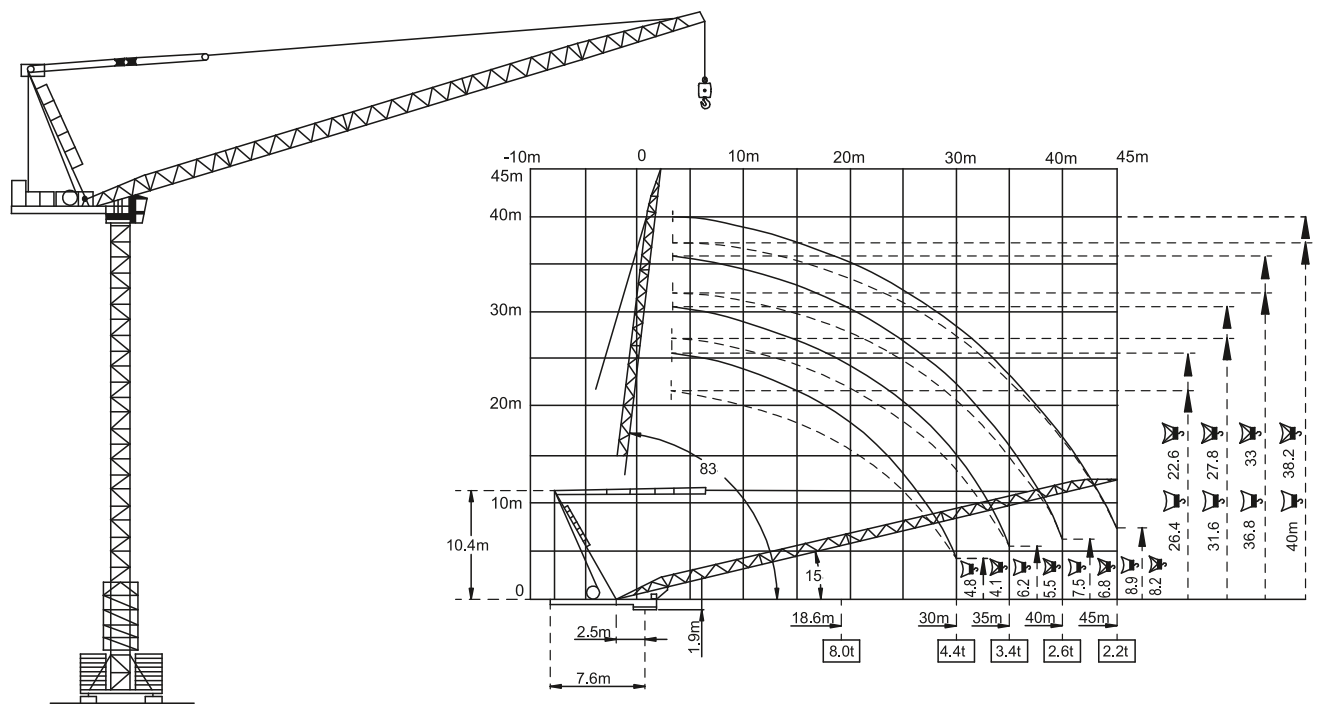
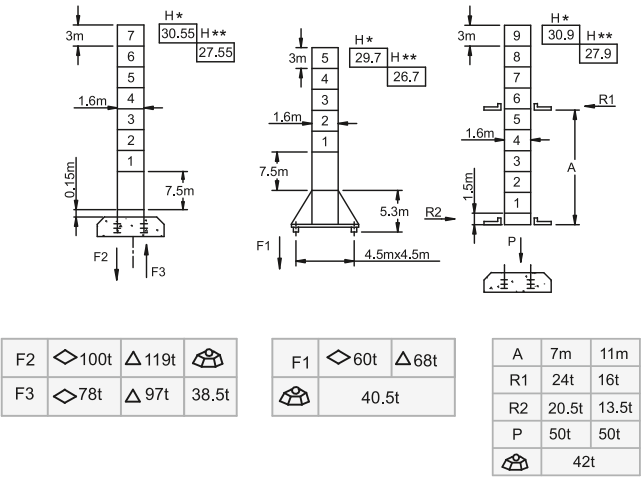
Load Capacity

Jib Length 45m	Radius (m)	3.5~18.6	20	25	30	32	35	40	45
	Hoisting Load (t)	8.0	7.3	5.5	4.2	4.0	3.3	2.6	2.2
Jib Length 40m	Radius (m)	3.5~18.6	20	25	30	32	35	40	
	Hoisting Load (t)	8.0	7.3	5.5	4.3	4.0	3.4	2.6	
Jib Length 35m	Radius (m)	3.5~18.6	20	25	30	32	35		
	Hoisting Load (t)	8.0	7.4	5.6	4.4	4.0	3.4		
Jib Length 30m	Radius (m)	3.5~18.6	20	25	30				
	Hoisting Load (t)	8.0	7.4	5.6	4.4				



Specifications

Hoisting	No of Falls	☞			☜		
	Speed (m/min)	0 ~ 40	0 ~ 66	0 ~ 80	0 ~ 20	0 ~ 33	0 ~ 40
	Hoisting Load (t)	4.0	2.4	2.0	8.0	4.8	4.0
	Power (kw)	30	30	30	30	30	30
Slewing	Speed (rpm)	0 ~ 0.7					
	Power (kw)	2 x 4.5					
Travelling	Speed (rpm)	0 ~ 25					
	Power (kw)	2 x 5.2					
Luffing	Speed (m/min)	≤ 3.5					
	Power (kw)	30					
Main Supply		415V / 50Hz					
Electric Power		69kw (86.3 kVA)					



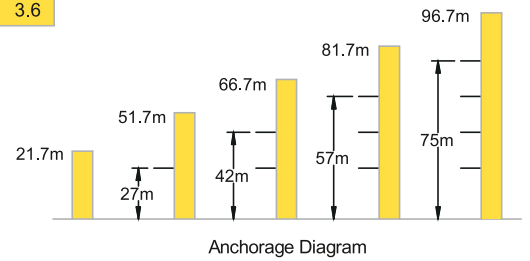
F Reaction ◇ In Service △ Out of Service ⊕ Dead weight without load and counter weights but with longest jib and free standing height.
 P Vertical Load H Free Standing Height Jib * 30 - 35m ** 40 - 45m

LC 160B Luffing Crane

10 t

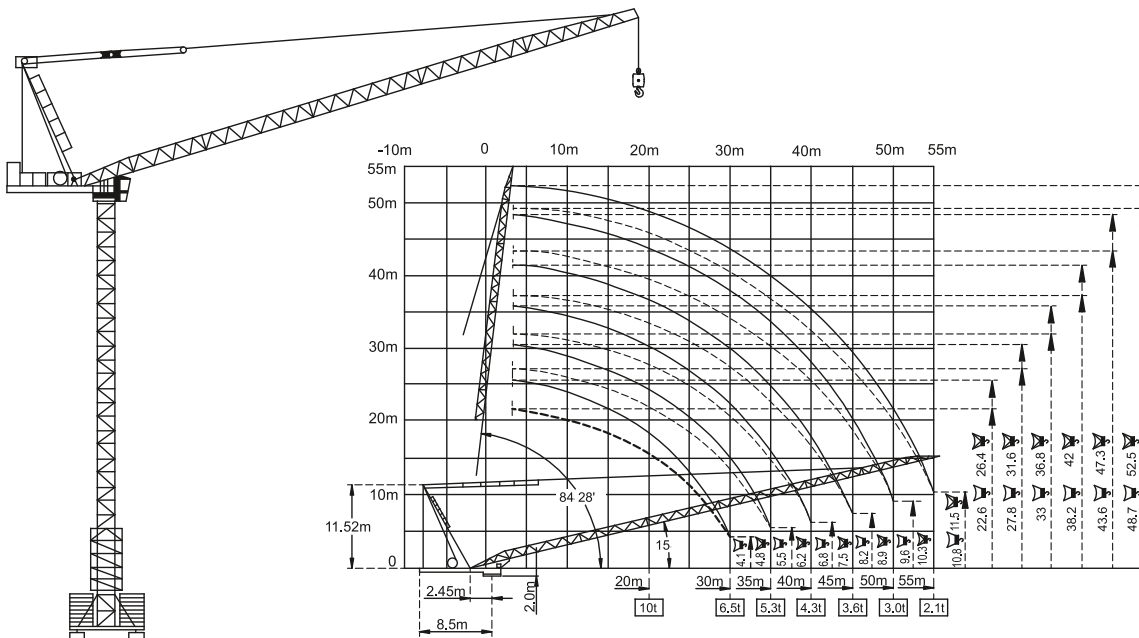
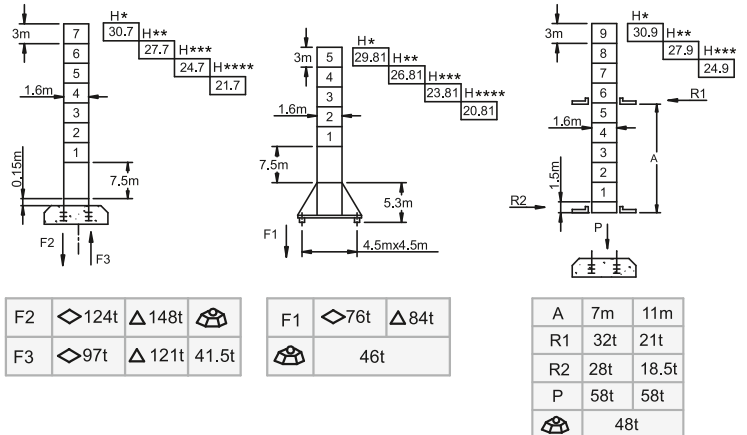
Load Capacity

Jib Length	Radius (m)	Radius (m)																		
		3.3~18.0	20	22	25	27	30	32	35	37	40	42	45	47	50	52	55			
55m	Hoisting Load (t)	10.0	8.6	7.6	6.5	5.8	5.0	4.6	4.1	3.8	3.5	3.2	2.9	2.7	2.5	2.3	2.1			
		5.0					4.6					4.1					3.8			
50m	Radius (m)	3.3~20.0		22	25	27	30	32	35	37	40	42	45	47	50					
	Hoisting Load (t)	10.0	8.7	7.5	6.8	6.0	5.5	5.0	4.7	4.2	3.8	3.5	3.2	3.0						
45m	Radius (m)	3.3~20.0		22	25	27	30	32	35	37	40	42	45							
	Hoisting Load (t)	10.0	9.0	7.7	7.0	6.2	5.7	5.1	4.7	4.2	4.0	3.6								
40m	Radius (m)	3.3~20.0		22	25	27	30	32	35	37	40									
	Hoisting Load (t)	10.0	9.1	7.8	7.1	6.2	5.7	5.1	4.8	4.3										
35m	Radius (m)	3.3~20.0		22	25	27	30	32	35											
	Hoisting Load (t)	10.0	9.2	8.0	7.2	6.4	5.9	5.3												



Specifications

Hoisting	No of Falls	☹			☹		
	Speed (m/min)	0 ~ 50	0 ~ 75	0 ~ 100	0 ~ 25	0 ~ 37.5	0 ~ 50
Hoisting Load (t)		5.0	3.0	2.0	10.0	6.0	4.0
Power (kw)		55	55	55	55	55	55
Slewing	Speed (rpm)	0 ~ 0.7					
	Power (kw)	2 x 9					
Travelling	Speed (m/min)	0 ~ 25					
	Power (kw)	4 x 3.4					
Luffing	Speed (m/min)	≤ 3.0					
	Power (kw)	37					
Main Supply		415V / 50Hz					
Electric Power		110kw (137.5 kVA)					



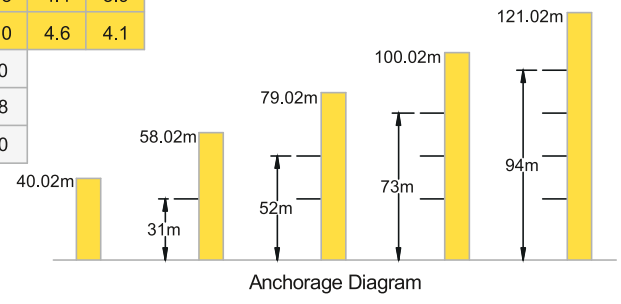
F Reaction ◇ In Service △ Out of Service ☹ Dead weight without load and counter weights but with longest jib and free standing height.
 P Vertical Load H Free Standing Height Jib *30 - 35m * 40 - 45m ***50m *****55m

LC 228B Luffing Crane

12 t

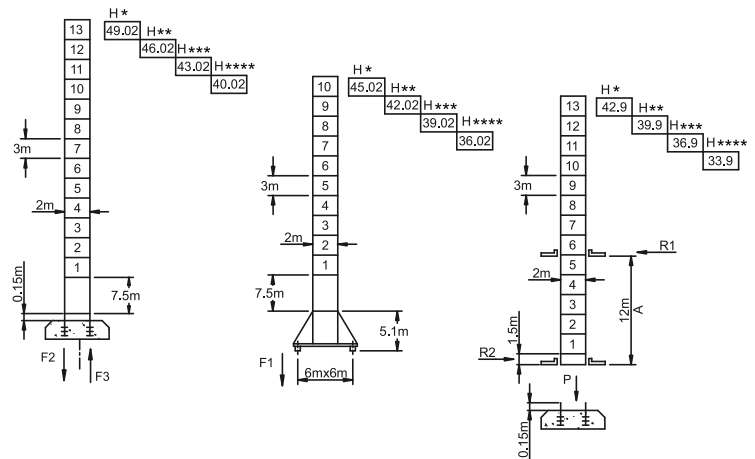
Load Capacity

Jib Length	Radius (m)	Radius (m)														
		3.8~17.6	20	22	25	30	31.8	35	37	40	42	45	47	50	52	55
55m	Hoisting Load (t)	12.0	10.4	9.4	8.0	6.3	5.8	4.9	4.4	3.9	3.5	3.1	2.9	2.6	2.4	2.3
		6.0					5.1	4.6	4.1	3.7	3.3	3.1	2.8	2.6	2.5	
50m	Hoisting Load (t)	12.0	10.0	8.8	8.0	6.8	6.3	6.0	5.8	5.2	4.6	4.2	3.7	3.4	3.05	
		6.0					5.4	4.8	4.4	3.9	3.6	3.25				
45m	Hoisting Load (t)	12.0	10.4	9.0	8.1	7.0	6.4	6.0	5.8	5.3	4.8	4.4	3.9			
		6.0					5.5	5.0	4.6	4.1						
40m	Hoisting Load (t)	12.0	10.5	9.2	8.2	7.1	6.5	6.0	5.8	5.3	4.8					
		6.0					5.5	5.0								
35m	Hoisting Load (t)	12.0	10.8	9.3	8.3	7.3	6.6	6.1								
		6.0														



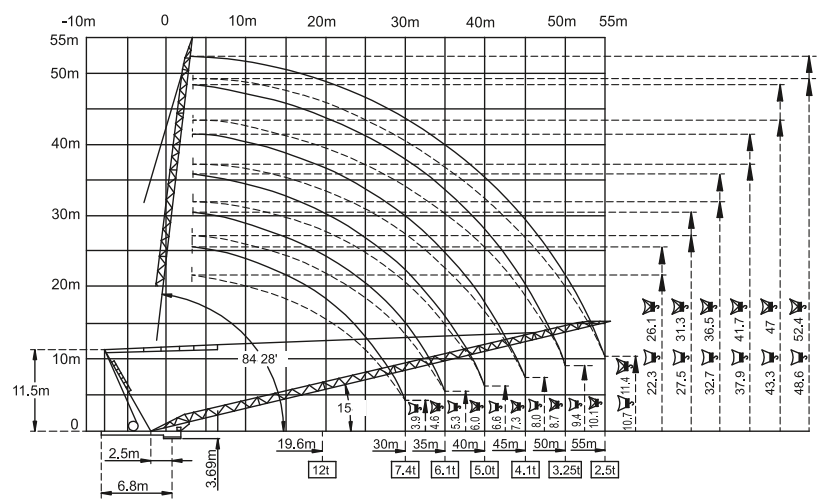
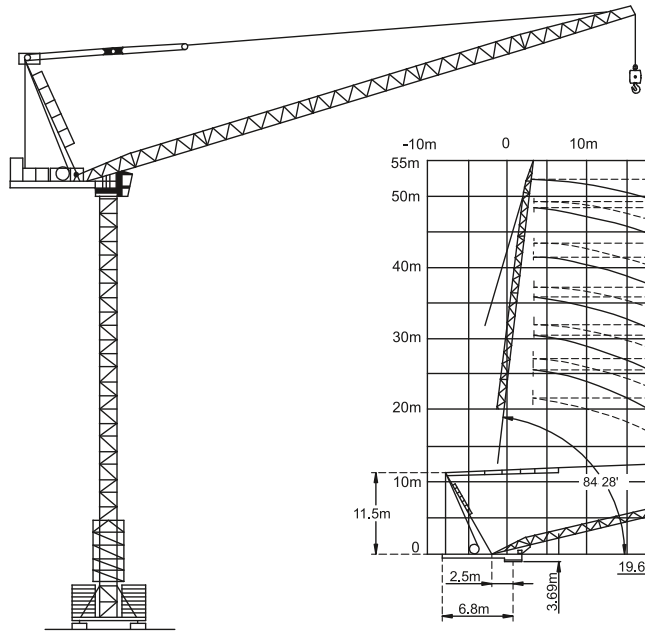
Specifications

Hoisting	No of Falls	Icon 1			Icon 2		
		Speed (m/min)	Hoisting Load (t)	Power (kw)	Speed (m/min)	Hoisting Load (t)	Power (kw)
		0 ~ 40	6.0	55	0 ~ 65	4.0	55
		0 ~ 80	3.0	55	0 ~ 20	12.0	55
		0 ~ 30	8.0	55	0 ~ 30	8.0	55
		0 ~ 40	6.0	55	0 ~ 40	6.0	55
Slewing		Speed (rpm)	0 ~ 0.7				
		Power (kw)	2 x 9				
Travelling		Speed (m/min)	0 ~ 25				
		Power (kw)	4x3.4				
Luffing		Speed (m/min)	≤ 3.0				
		Power (kw)	45				
Main Supply		415V / 50Hz					
Electric Power		118kw (147.5 kVA)					



F2	◇ 174t	△ 294t	⊕ 87.5t
F3	◇ 111t	△ 237t	87.5t
F1	◇ 118t	△ 134t	⊕ 97t

A	12m	16m
R1	34t	25.5t
R2	29.6t	22.2t
P	101t	101t
	⊕ 81.5t	



F Reaction ◇ In Service △ Out of Service ⊕ Dead weight without load and counter weights but with longest jib and free standing height.
 P Vertical Load H Free Standing Height Jib * 30 - 35m ** 40 - 45m *** 50m **** 55m

Technical Specifications

ACS Series

S. No.	Description	Units	HGY 13	HGY 17
1	Max Radius of Placing Boom	m	13.00	17.00
2	Max. Height Working Reach	m	15.35	19.90
3	Max.Depth Working Reach	m	5.40	11.78
4	Elevation Angle	deg.	-2 ~ 84.4	-2 ~ 84.4
5	Slewing Range	deg.	360	360
6	Motor Power	kW	4	5.5
7	Hydraulic Pressure	MPa	20	20
8	Slewing	r/min	0.46	0.2-0.3
9	Delivery Pipeline Diameter	mm	125	125
10	Length of End Hose	m	3.00	3.00
11	Footprint of machine	mxm	3.15 x 3.15	4.23 x 4.23
12	Total weight (without counter weight)	kg	2700	4940
13	Counter weight	kg	2x900	2x1050
14	Length of Boom I	m	3.70	6.67
15	Length of Boom II	m	4.50	5.73
16	Length of Boom III	m	4.80	4.60
17	Overall Dimensions	m	6.82x3.43x3.14	10.22 x4.64x3.50
18	Weight of Heaviest Component	kg	2310	3173



Technical Specifications **ACP Series**

	Description	Units	HGY 33C-3R	HGY 36C-4R
Performance	Max Radius of Placing Boom	m	32.7	36
	Free Standing Height	m	22.7	22.7
	Slewing Range	deg.	±400	±400
	Total Weight	kgs.	22000	28000
	Counter Weight	kgs.	no need	no need
	Weight of Heaviest Component	kgs.	5200	5300
	Electric Power		415V/50Hz	
Motor	Power	kW	15	30
Hydraulic System	System Pressure	MPa	30	32
	Oil Tank Capacity	ltrs.	180	180



Controls			Radio Remote Control	
			Manual	
Section of Tubular Column		(mxm)	0.75 x 0.75	

Boom	Boom Type		Hydraulically Foldable Arm Sections		
	Delivery Pipeline Diameter		mm	125	
	Length of End Hose		m	3	–
	1st Section	Length	m	15.5	12.3
		Articulation	deg.	-4.2° ~ 82.5°	-3° ~ +85°
	2nd Section	Length	m	9.2	7.9
		Articulation	deg.	0° ~ 180°	0° ~ 180°
	3rd Section	Length	m	8.0	7.9
		Articulation	deg.	0° ~ 180°	0° ~ 180°
	4th Section	Length	m	–	7.9
Articulation		deg.	–	0° ~ 180°	

Climbing	Climbing Type		Hydraulic	
	Internal Climbing Step Distance		m	0.60
	Floor Frame		Hole Prepared in Floor	



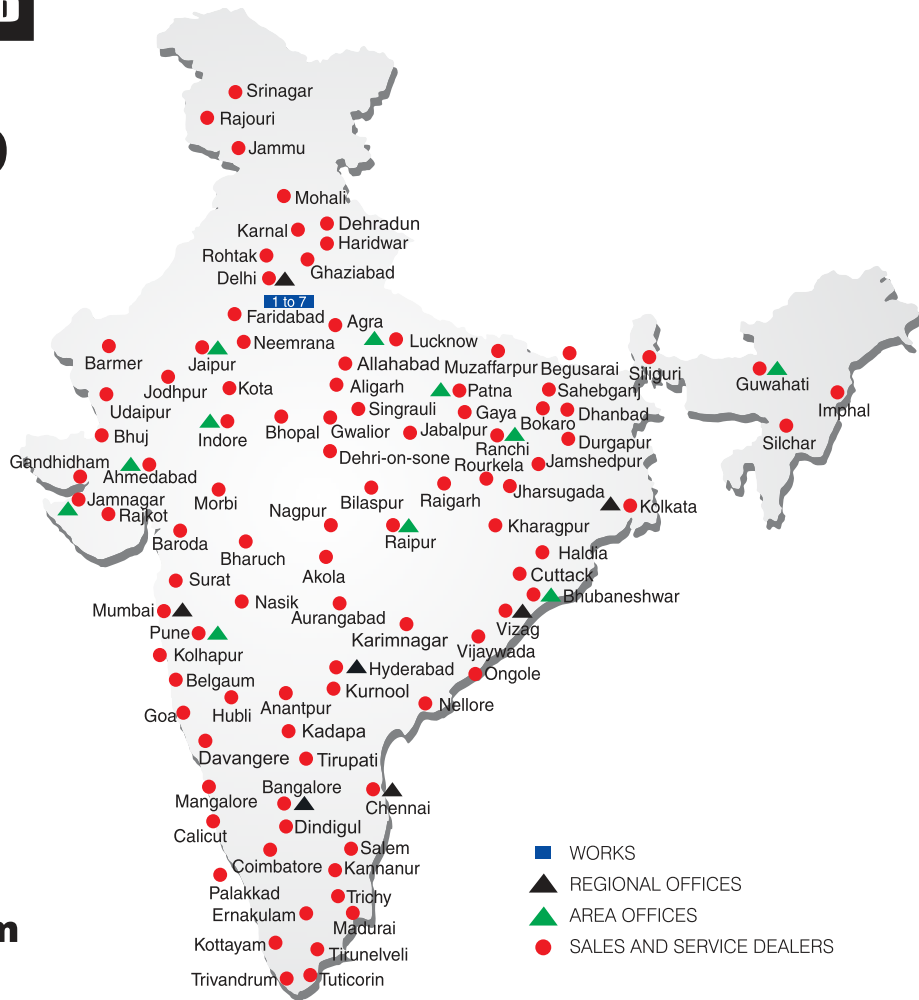
BUILT TO PERFORM



ACE INDIA'S NO. 1
CRANE BRAND

**RELIABLE AND
DEPENDABLE
EFFICIENCY**

NETWORK



**Toll Free Help Line
1800 1800 004**

www.ace-cranes.com

MARKETING H.Q.

4th Floor, Pinnacle
Surajkund, NCR-121009
Ph. : +91-129-4550000
Fax : +91-129-4550022
E-mail: marketing@ace-cranes.com

REGISTERED OFFICE

Dudhola Link Road, Dudhola
Palwal-121102, Haryana
Ph.: +91-1275-280111
Fax: +91-1275-280133
CIN : L74899HR1995PLC053860

MUMBAI OFFICE

31, "Kalpataru Court"
Chembur, Mumbai - 400074
Ph.: +91-22-25206846, 25207070
Fax: +91-22-25207071
E-mail: acemumbai@ace-cranes.com

KOLKATA OFFICE

"Forma Towers" 84-A, Second Floor
AJC Bose Road, Kolkata - 700014
Ph.: +91-9038070630
E-mail: acekolkata@ace-cranes.com

CHENNAI OFFICE

1st Floor, "Alsa Regency", 165
Eldams Road, Alwar Pet
Chennai - 600018
Ph.: +91-44-24314253
Fax: +91-44-24314252
E-mail: acechennai@ace-cranes.com

HERE TO SERVE YOU.

SPARE PARTS & SERVICE

ACE has all India Sales and Service network operating out of all the major cities. These outlets are fully equipped to provide genuine spare parts and services by company trained engineers. These outlets are further supported by company officials based at Delhi, Mumbai, Chennai, Kolkata, Ahmedabad, Surat, Pune, Jaipur, Chandigarh, Ranchi, Raipur, Indore, Bhubaneswar, Lucknow, Jamnagar, Hyderabad, Bangalore, Guwahati, Patna, Vizag & Kochi.



Action Construction Equipment Ltd.

Contact:



ACE reserves the right to alter any specifications without prior notice. Dimensions, weights & capacities mentioned herein are variable by ± 5%. Accessories if shown are not part of the Standard Equipment.