

# ACE 15 XWE

## Hydraulic Mobile Crane

15 Tonnes Capacity  
Rough terrain and rugged  
articulated pick n move crane.



- Low Center of Gravity
- Slotted boom
- Better Creep Speed
- Self Adjusting hook block
- Ergonomically designed Cabin



# Specifications

# 15XWE

<b>LIFTING CAPACITY</b> (Free on wheels)	15 Tonnes
<b>ENGINE</b>	Simpson's S433(I) F1 (CEV BS-III), 4 cylinder, water cooled diesel engine or suitable equivalent engine
Rated Power	48 BHP (36KW) at 2200 RPM
<b>TRANSMISSION</b>	Heavy duty, sliding mesh with 6 forward and 2 reverse speeds with high low range selector.
Clutch	Heavy duty, single, dry friction, wire woven clutch plate with diaphragm type pressure plate.
Top Speed	28 KMPH Without load
<b>STEERING</b>	Lever operated with 55° articulation on either side and turning radius of 6.5 Mtrs. (approx) on outer rear wheels
<b>BRAKES</b>	Pneumatically assisted hydraulic brakes, Front and rear brakes are actuated through a single pedal. Parking brake is provided.

## HYDRAULIC SYSTEM

- Gear / Intra Vane type Main Pump.
- Four spools control valve with built in Relief valve (heavy duty)
- Suction line has 100 mesh size Strainer while return line is fitted with 25 micron full flow filter
- Two double acting lift cylinders, two double acting steering cylinders and one double acting extension extension cylinder

## TELESCOPIC BOOM

Three part slotted boom with hydraulically operated synchronized extensions having self adjusting hook block.

Telescoping Time

12 Seconds

## BOOM LUFFING

Range

-2° to + 53°

Time

18 Seconds

## HOIST

Winch is driven by hydraulic motor and fitted with self adjusting hook block employing 4 falls of 13mm dia. Rope.

Hoist Speed

50 Mtrs./Min. (Line speed)



- 1 SELF ADJUSTING HOOK BLOCK**  
Provides for safe boom extension and prevents damage of wire rope.



- 2 ROPS CABIN**  
Wide view ROPS cabin with curved windshield for better visibility.

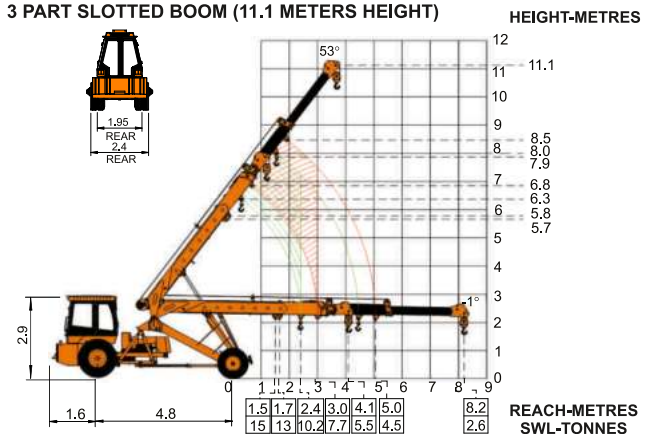


- 3 MAIN FRAME**  
Heavy duty & robust construction.



- 4 INCREASED VISIBILITY**  
Bigger size front windshield and re-routing of hoses provide much better front visibility.

ACE 15XWE MODEL CRANE FITTED WITH 3 PART SLOTTED BOOM (11.1 METERS HEIGHT)



# Specifications

# 15XWE

<b>FLUID CAPACITIES</b>			<b>STANDARD EQUIPMENT</b>	<ul style="list-style-type: none"> <li>● ROPS fully enclosed wide view cabin with rotomould canopy.</li> <li>● Front tyre protector.</li> <li>● Front and rear work lights.</li> <li>● Reflectors &amp; rear view mirror.</li> <li>● Tool kit.</li> <li>● Gauges :-                             <ul style="list-style-type: none"> <li>a) Water temperature.</li> <li>b) Engine oil pressure.</li> <li>c) RPM meter cum hour recorder</li> <li>d) Air pressure</li> </ul> </li> </ul>
Air Cleaner	0.75 Ltrs.			
Engine	8.00 Ltrs.			
Fuel Tank	45.00 Ltrs			
Hydraulic Tank	125.00 Ltrs.			
Transmission	48.00 Ltrs.			
<b>ELECTRICAL SYSTEM</b>		12V, Negative earth with 35 Amp. alternator and 88 Amp hr. battery	<b>OPTIONAL EQUIPMENT</b>	<ul style="list-style-type: none"> <li>● Fly jib</li> <li>● Steering Wheel in lieu of lever type steering</li> <li>● Spark arrester</li> <li>● Fire Extinguisher</li> <li>● 3 part slotted boom (fully hydraulic 15.0 mtrs. height)</li> <li>● 4 part slotted boom, 3 part hydraulically actuated &amp; Synchronized and 4th part power extended (15.3 mtrs or 17.7 mtrs height)</li> <li>● Air Brakes</li> <li>● Over Hoist hydraulic cutoff</li> <li>● Safe load indicator / LMI</li> </ul>
<b>TYRES</b>				
Front	11.00 x 20 – 16 PR (4 Nos.)		<b>OPERATING WEIGHT</b>	11600 Kgs.
Rear	14.00 x 25 – 12 PR (2 Nos.)			
<b>SAFETY</b>		<ul style="list-style-type: none"> <li>● Audio operated indication.</li> <li>● Hose failure protection.</li> <li>● Audio over hoisting indication</li> <li>● Safety brakes on hoist.</li> <li>● Cylinder guards</li> <li>● Self adjusting hook block</li> </ul>		



**5 LIFT CYLINDERS**  
Heavy duty lift cylinders ensure higher lifting capacities.



**6 GROUND CLEARANCE**  
High ground clearance of 400mm for easier rough terrain operation.



**7 STEERING CYLINDERS**  
700 mm stroke cylinders ensure proper steering even in loose, sandy & rocky terrains.

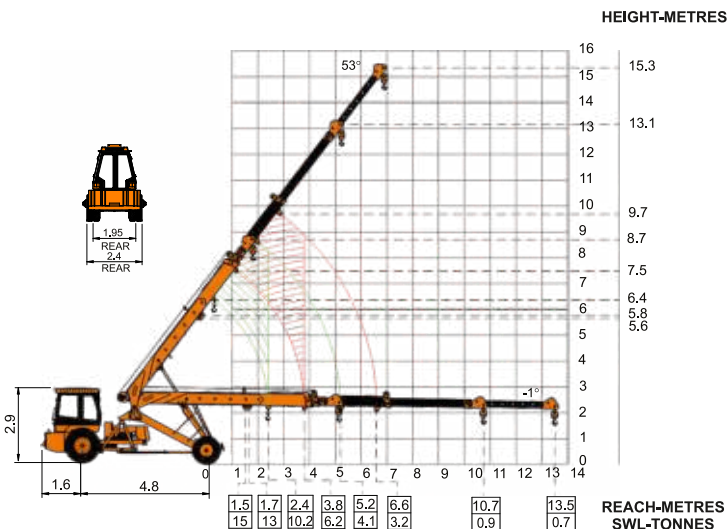


**8 SLOTTED BOOM**  
For easier load positioning

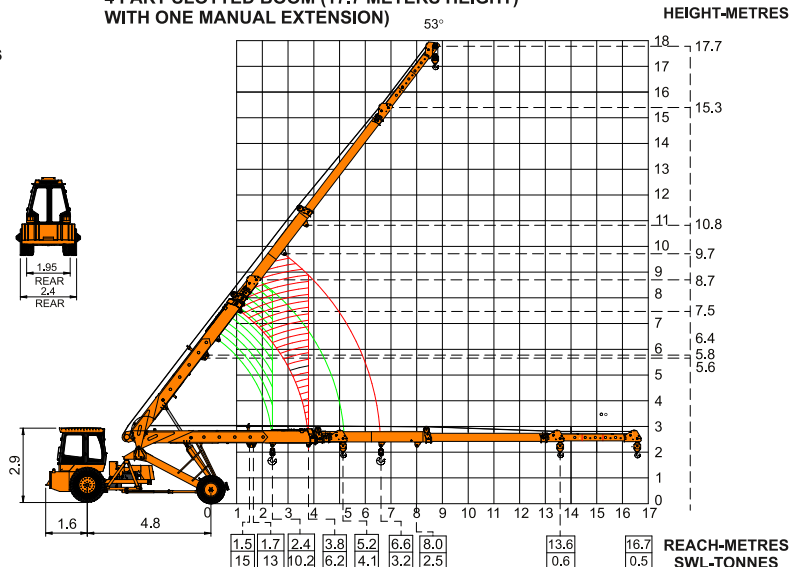


## ACE advantages

ACE 15XWE MODEL CRANE FITTED WITH 4 PART SLOTTED BOOM (15.3 METERS HEIGHT WITH ONE MANUAL EXTENSION)



ACE 15XWE MODEL CRANE FITTED WITH 4 PART SLOTTED BOOM (17.7 METERS HEIGHT) WITH ONE MANUAL EXTENSION

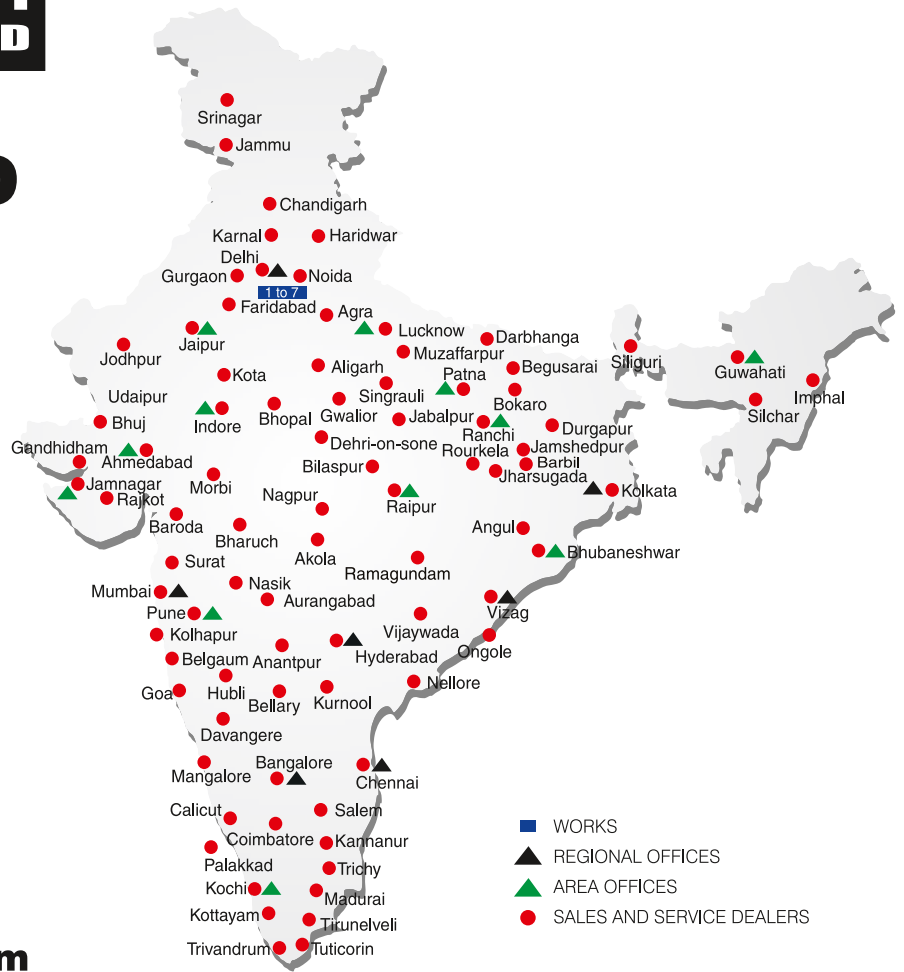


# BUILT TO PERFORM



**RELIABLE AND  
DEPENDABLE  
EFFICIENCY**

## NETWORK



**Toll Free Help Line  
1800 1800 004**

[www.ace-cranes.com](http://www.ace-cranes.com)

### MARKETING H.Q.

4th Floor, Pinnacle  
Surajkund, NCR-121009  
Ph. : +91-129-4550000  
Fax : +91-129-4550022  
E-mail: marketing@ace-cranes.com

### REGISTERED OFFICE

Dudhola Link Road, Dudhola  
Palwal-121102, Haryana  
Ph.: +91-1275-280111  
Fax: +91-1275-280133  
CIN : L74899HR1995PLC053860

### MUMBAI OFFICE

31, "Kalpataru Court"  
Chembur, Mumbai - 400074  
Ph.: +91-22-25206846, 25207070  
Fax: +91-22-25207071  
E-mail: acemumbai@ace-cranes.com

### KOLKATA OFFICE

"Forma Towers" 84-A, Second Floor  
AJC Bose Road, Kolkata - 700014  
Ph.: +91-9038070630  
E-mail: acekolkata@ace-cranes.com

### CHENNAI OFFICE

1st Floor, "Alsa Regency", 165  
Eldams Road, Alwar Pet  
Chennai - 600018  
Ph.: +91-44-24314253  
Fax: +91-44-24314252  
E-mail: acechennai@ace-cranes.com

## HERE TO SERVE YOU.

### SPARE PARTS & SERVICE

ACE has all India Sales and Service network operating out of all the major cities. These outlets are fully equipped to provide genuine spare parts and services by company trained engineers. These outlets are further supported by company officials based at Delhi, Mumbai, Chennai, Kolkatta, Ahmedabad, Surat, Pune, Jaipur, Chandigarh, Ranchi, Raipur, Indore, Bhubneshwar, Lucknow, Jamnagar, Hyderabad, Bangalore, Guwahati, Patna, Vizag & Kochi.



**Action Construction Equipment Ltd.**

Contact:



ACE reserves the right to alter any specifications without prior notice. Dimensions, weights & capacities mentioned herein are variable by ± 5%. Accessories if shown are not part of the Standard Equipment.