

ACE 14 XW

Hydraulic Mobile Crane

14 Tonnes Capacity
Rough terrain and rugged
articulated pick n move crane.

- Best in class stability
- Better creep speed
- Heavy duty and robust construction
- Ergonomically designed cabin

ACE INDIA'S NO. 1
CRANE BRAND

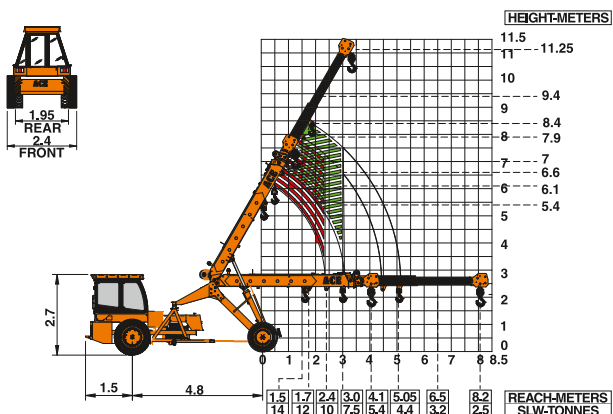


Specifications

14XW

LIFTING CAPACITY (Free on wheels)	14 Tonnes
ENGINE	Mahindra 4485 IAE (BS III CEV) 4 cylinder, water cooled diesel engine OR suitable equivalent engine
Rated Power	47.5 HP (34.9 KW) at 2200 RPM
TRANSMISSION	Heavy duty, sliding mesh with 6 forward and 2 reverse speeds with high low range selector.
Clutch	Heavy duty, single, dry friction, cerametallic clutch plate with diaphragm type pressure plate.
Top Speed	28 KMPH without load.
HYDRAULIC SYSTEM	<ul style="list-style-type: none"> ● Gear/Intra vane type main pump. ● Four spools control valve. (heavy duty) ● Suction line has 100 mesh size strainer while return line is fitted with 25 micron full flow filter. ● Two double acting lift cylinders, two double acting steering cylinders and one double acting extension cylinder.
POWER STEERING	Articulation through 2 hydraulic cylinders 55° articulation on either side and turning radius of 6.5 Mtrs. (approx) on outer rear wheels.
BRAKES	Pneumatically assisted hydraulic brakes. Front and rear brakes are actuated through a single pedal. Parking brake is Provided.
TELESCOPIC BOOM	Three part boom with hydraulically operated extensions (11.25 mtrs. height)
Telescoping Time	14 Seconds.

ACE 14 XW Model Crane fitted with 3 part boom (11.25 Mtrs. height)



NOTE: • All above specifications are pertaining to 14XW model fitted with 3 part boom

BOOM LUFFING	
Time	20 ± 3 Seconds.
HOIST	Winch is driven by hydraulic motor and fitted with hook block employing 4 falls of 13 mm dia rope.
Hoist Speed	50 Mtrs./Min. (Line speed)
FLUID CAPACITIES	
Engine	8.00 Ltrs.
Fuel Tank	45.00 Ltrs.
Hydraulic Tank	125.00 Ltrs.
Transmission	48.00 Ltrs.
ELECTRICAL SYSTEM	12V. Negative earth with 35 Amp. alternator and 75 Amp hr. battery.
TYRES	
Front	11.00 x 20 - 16 PR (4 Nos.)
Rear	13.00 x 24 - 12 PR (2 Nos.)
SAFETY	<ul style="list-style-type: none"> ● Audio overload indication. ● Hose failure protection. ● Audio over hoisting indication. ● Safety brakes on hoist. ● Cylinder guards.
STANDARD EQUIPMENT	<ul style="list-style-type: none"> ● ROPS fully enclosed wide view cabin with rotomoulded canopy. ● Front tyre protector. ● Front and rear work lights. ● Reflectors & rear view mirror. ● Tool kit. ● Gauges :- <ul style="list-style-type: none"> a) Water temperature. b) Engine oil pressure. c) RPM meter cum hour recorder d) Air pressure
OPTIONAL EQUIPMENT	<ul style="list-style-type: none"> ● Fly jib. (1.25 tonnes max capacity) ● Steering Wheel ● Spark arrester ● Air Brakes ● Fire Extinguisher ● 3 part slotted boom with self adjusting Hook Block (fully hydraulic-12.9 mtrs. height) ● 4 part slotted boom with self adjusting Hook Block (one manual extension-15.7 mtrs. height) ● 4 part boom - 3 part fully hydraulic & 4th part power extended (16.30 and 17.40m) ● Simpson S433 Engine ● Over hoisting hydraulic cutoff ● Safe load indicator / LMI ● City type double driving cabin ● 14.00 x 25 - 12 PR Rear Tyres
OPERATING WEIGHT	12000 kgs.

ACE



STEERING WHEEL & CONTROLS
Steering wheel is provided as an optional feature, which along with ergonomically placed operator console and instrument cluster ensures ease of operation.



TRAVEL SPEED
Travel speed of 28 kmph provides faster intersite movements.



ROPS CABIN
Wide view ROPS cabin with better visibility.



CITY TYPE DOUBLE DRIVING CABIN

100% Swadeshi



MAIN FRAME
Heavy duty & robust construction.



SELF ADJUSTING HOOK BLOCK (Optional)
Provides for safe boom extension and prevents damage of wire rope.



STEERING CYLINDERS
700 mm stroke cylinders ensure proper steering even in loose, sandy & rocky terrains.



LIFT CYLINDERS
Heavy duty spaced out lift cylinders ensure better stability



INCREASED VISIBILITY
Bigger size front windscreen and re-routing of hoses provide much better front visibility.



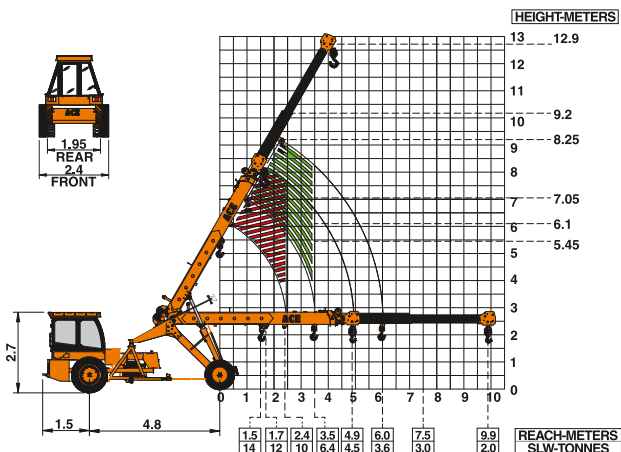
GROUND CLEARANCE
High ground clearance of 400mm for easier rough terrain operation.



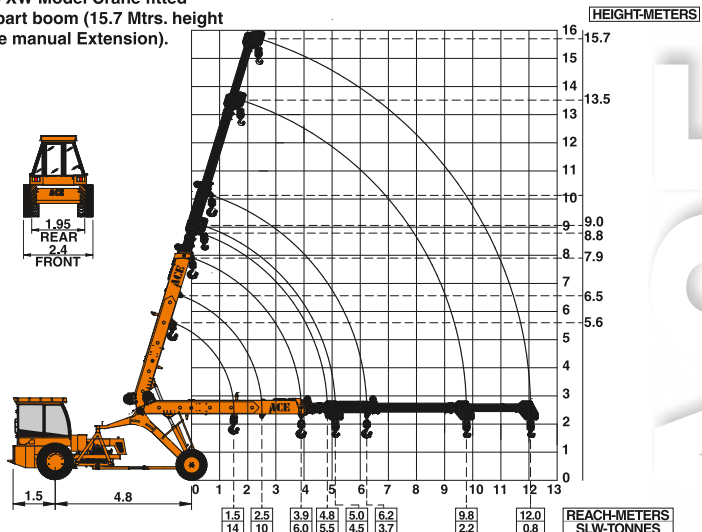
SLOTTED BOOM
For easier load positioning (Optional)

ACE 14 XW Model Crane fitted with 3 part boom (12.90 Mtrs. height)

ACE 14 XW Model Crane fitted with 4 part boom (15.7 Mtrs. height and one manual Extension).



All Dimensions in Meters ±5%



All Dimensions in Meters ±5%

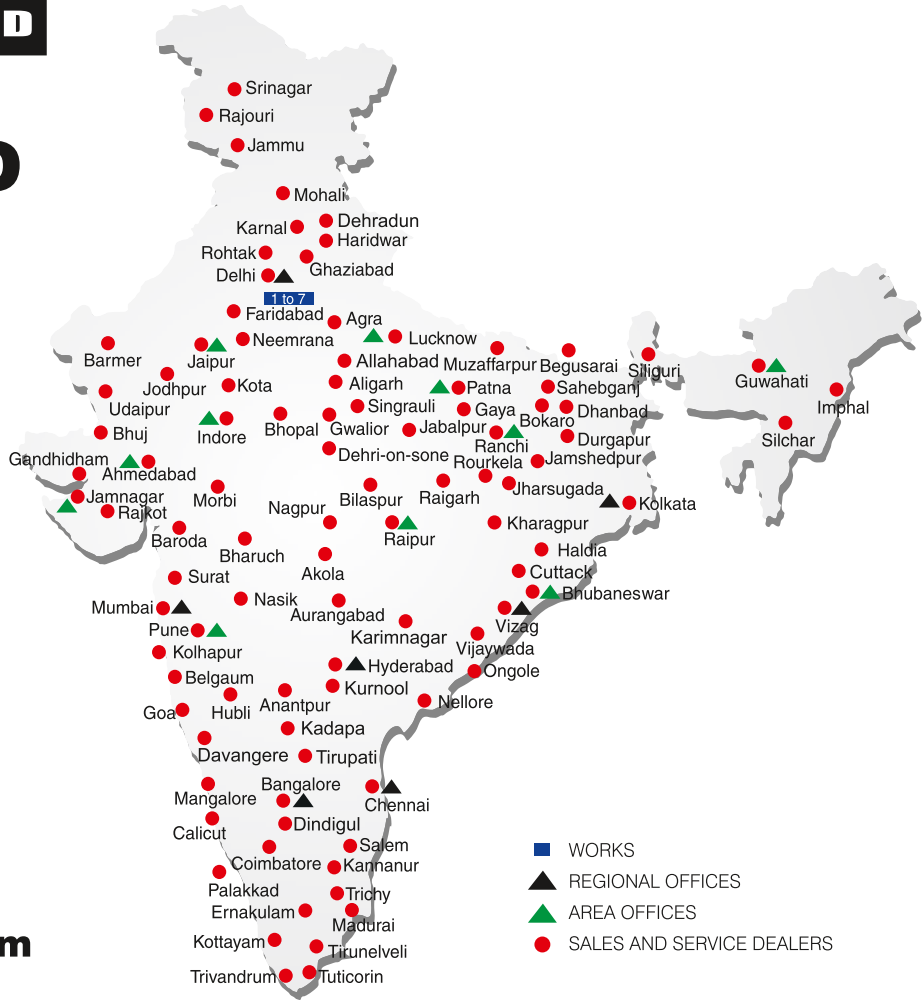
ACE advantages

BUILT TO PERFORM



ACE INDIA'S NO. 1
CRANE BRAND

**RELIABLE AND
DEPENDABLE
EFFICIENCY**



**Toll Free Help Line
1800 1800 004**

www.ace-cranes.com

MARKETING H.Q.

4th Floor, Pinnacle
Surajkund, NCR-121009
Ph. : +91-129-4550000
Fax : +91-129-4550022
E-mail: marketing@ace-cranes.com

REGISTERED OFFICE

Dudhola Link Road, Dudhola
Palwal-121102, Haryana
Ph.: +91-1275-280111
Fax: +91-1275-280133
CIN : L74899HR1995PLC053860

MUMBAI OFFICE

31, "Kalpataru Court"
Chembur, Mumbai - 400074
Ph.: +91-22-25206846, 25207070
Fax: +91-22-25207071
E-mail: acemumbai@ace-cranes.com

KOLKATA OFFICE

"Forma Towers" 84-A, Second Floor
AJC Bose Road, Kolkata - 700014
Ph.: +91-9038070630
E-mail: acekolkata@ace-cranes.com

CHENNAI OFFICE

1st Floor, "Alsa Regency", 165
Eldams Road, Alwar Pet
Chennai - 600018
Ph.: +91-44-24314253
Fax: +91-44-24314252
E-mail: acechennai@ace-cranes.com

HERE TO SERVE YOU.

SPARE PARTS & SERVICE

ACE has all India Sales and Service network operating out of all the major cities. These outlets are fully equipped to provide genuine spare parts and services by company trained engineers. These outlets are further supported by company officials based at Delhi, Mumbai, Chennai, Kolkata, Ahmedabad, Surat, Pune, Jaipur, Chandigarh, Ranchi, Raipur, Indore, Bhubneshwar, Lucknow, Jamnagar, Hyderabad, Bangalore, Guwahati, Patna, Vizag & Kochi.



Action Construction Equipment Ltd.

Contact:



ACE reserves the right to alter any specifications without prior notice. Dimensions, weights & capacities mentioned herein are variable by ± 5%. Accessories if shown are not part of the Standard Equipment.