

ACE 12XW

Hydraulic Mobile Crane

12 tonnes Capacity.
Rough terrain and rugged
articulated pick n move crane.

ACE INDIA'S NO. 1
CRANE BRAND



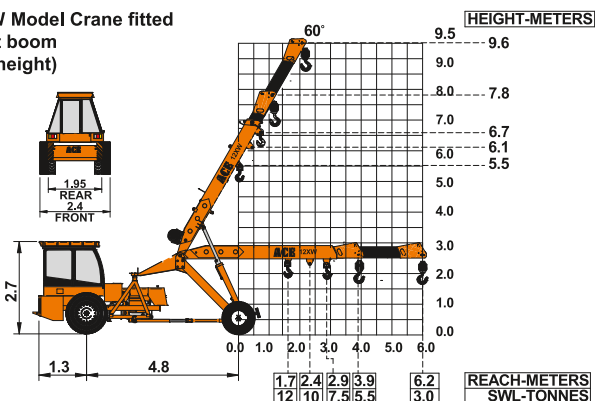
Specifications

12XW

LIFTING CAPACITY (Free on wheels)	12 Tonnes
ENGINE	Mahindra 4485 IAE (BS III CEV) 4 cylinder, water cooled diesel engine or suitable equivalent engine
Rated Power	47.5 HP (34.9 KW) at 2200 RPM.
TRANSMISSION	Heavy duty, sliding mesh with 6 forward and 2 reverse speeds with high low range selector.
Clutch	Heavy duty, single, dry friction, cerametallic clutch plate with diaphragm type pressure plate.
Top Speed	28 KMPH without load.
POWER STEERING	55° articulation through 2 hydraulic cylinders on either side and turning radius of 6.5 Mtrs. (approx) on outer edge of rear wheels.
BRAKES	Pneumatically assisted hydraulic brakes. Front and rear brakes are actuated through a single pedal. Parking brake is Provided.
HYDRAULIC SYSTEM	<ul style="list-style-type: none"> ● Gear/Intra vane type main pump. ● Four spools control valve. ● Suction line has 100 mesh size strainer while return line is fitted with 25 micron filter. ● Two double acting lift cylinders, two double acting steering cylinders and one double acting extension cylinder.

ELECTRICAL SYSTEM	12V. Negative earth with 35 Amp. alternator and 75 Amp hr. battery.
TELESCOPIC BOOM	Two part boom with hydraulically operated extension.
Telescoping Time	12 Seconds.
BOOM LUFFING	
Range	-5° to + 60°
Time	21 Seconds.
HOIST	Winch is driven by hydraulic motor employing 4 falls of 13 mm dia rope and fitted with hook block.
Hoist Speed	50 Mtrs./Min. (Line speed)
TYRES	
Front	11.00 x 20 - 16 PR (4 Nos.)
Rear	13.00 x 24 - 12 PR (2 Nos.)
SAFETY	<ul style="list-style-type: none"> ● Audio overload indication. ● Hose failure protection. ● Audio over hoisting indication. ● Safety brakes on hoist. ● Cylinder guards.
FLUID CAPACITIES	
Engine	7.00 Ltrs.
Fuel Tank	45.00 Ltrs.
Hydraulic Tank	125.00 Ltrs.
Transmission	48.00 Ltrs.
STANDARD EQUIPMENT	<ul style="list-style-type: none"> ● ROPS fully enclosed wide view cabin with rotomould canopy. ● Front tyre protector. ● Front and rear work lights. ● Reflectors & rear view mirror. ● Tool kit. ● Gauges :- <ul style="list-style-type: none"> a) Water temperature. b) Engine oil pressure. c) RPM meter cum hour recorder. d) Air pressure
OPTIONAL EQUIPMENT	<ul style="list-style-type: none"> ● Fly jib. (1.25 tonnes max capacity) ● Steering Wheel. ● Air Brakes. ● Three part boom (height 11.1 mtrs or 12.8 mtrs) ● Spark arrester. ● Simpson S433 Engine ● Fire extinguisher ● City type double driving cabin. ● Over hoisting hydraulic cut off. ● Safe load indicator / LMI. ● Slotted boom
OPERATING WEIGHT	9250 kgs. (2 Part)

ACE 12XW Model Crane fitted with 2 Part boom (9.6 mtrs. height)



NOTE: All above specifications are pertaining to 12XW model fitted with 2 part boom
Rated loads are on the basis of operation on firm and level surface.

100% Swadeshi



1 STEERING WHEEL & CONTROLS
Steering wheel is provided as an optional feature, which along with ergonomically placed operator console and instrument cluster ensure ease of operation.



2 INCREASED VISIBILITY
Bigger size front windscreen and re-routing of hoses provide much better front visibility.



3 ROPS CABIN
Wide view ROPS cabin for better visibility.



4 TRAVEL SPEED
Travel speed of 28 kmph provides faster intersite movements.



5 MAIN FRAME
Heavy duty & robust construction.



6 STEERING CYLINDERS
880 mm stroke cylinders ensure proper steering even in loose, sandy & rocky terrains.



7 GROUND CLEARANCE
High ground clearance of 400mm for easier rough terrain operation.



9 SELF ADJUSTING HOOK BLOCK
Provides for safe boom extension and prevents damage of wire rope (optional).



8 CITY TYPE DOUBLE DRIVING CABIN (OPTIONAL)



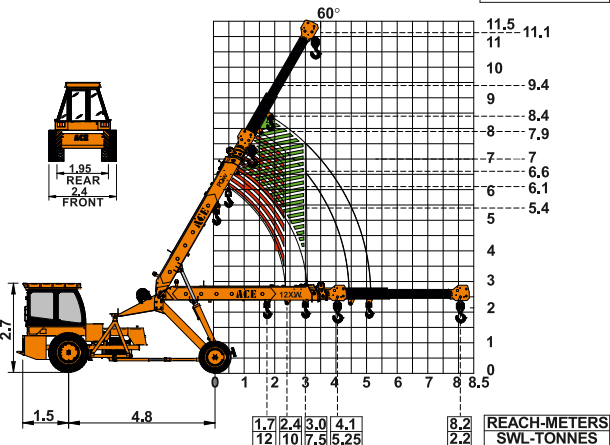
10 SLOTTED BOOM
For easier load positioning (optional)

ACE 12 XW Model Crane fitted with 3 part boom (11.1 mtrs. height)

HEIGHT-METERS

11.5
11.1
11
10
9.4
9
8.4
8
7.9
7
6.6
6.1
5.4

REACH-METERS
SWL-TONNES

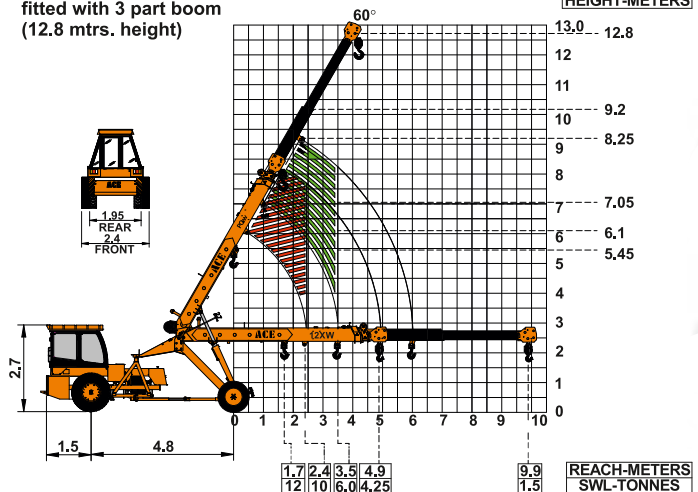


ACE 12 XW Model Crane fitted with 3 part boom (12.8 mtrs. height)

HEIGHT-METERS

13.0
12.8
12
11
10
9.2
8
8.25
7
7.05
6
6.1
5.45

REACH-METERS
SWL-TONNES



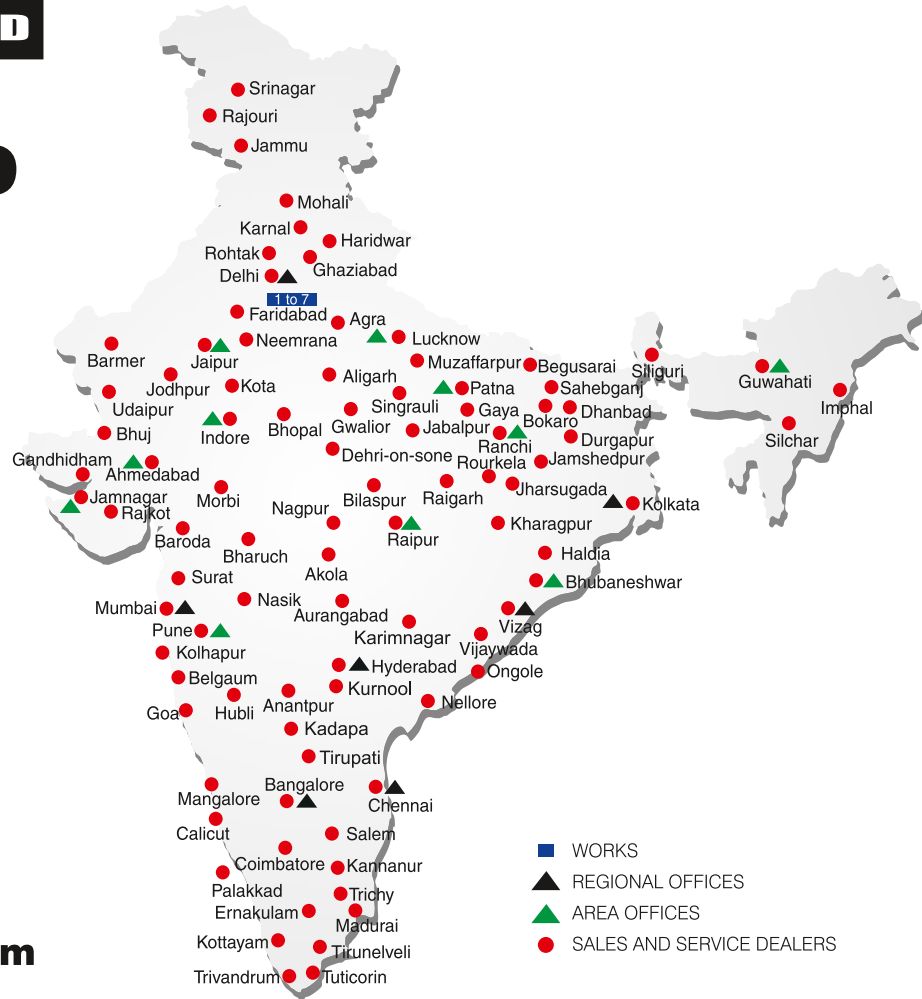
ACE also available in

BUILT TO PERFORM



**RELIABLE AND
DEPENDABLE
EFFICIENCY**

NETWORK



**Toll Free Help Line
1800 1800 004**

www.ace-cranes.com

MARKETING H.Q.

4th Floor, Pinnacle
Surajkund, NCR-121009
Ph. : +91-129-4550000
Fax : +91-129-4550022
E-mail: marketing@ace-cranes.com

REGISTERED OFFICE

Dudhola Link Road, Dudhola
Palwal-121102, Haryana
Ph.: +91-1275-280111
Fax: +91-1275-280133
CIN : L74899HR1995PLC053860

MUMBAI OFFICE

31, "Kalpataru Court"
Chembur, Mumbai - 400074
Ph.: +91-22-25206846, 25207070
Fax: +91-22-25207071
E-mail: acemumbai@ace-cranes.com

KOLKATA OFFICE

"Forma Towers" 84-A, Second Floor
AJC Bose Road, Kolkata - 700014
Ph.: +91-9038070630
E-mail: acekolkata@ace-cranes.com

CHENNAI OFFICE

1st Floor, "Alsa Regency", 165
Eldams Road, Alwar Pet
Chennai - 600018
Ph.: +91-44-24314253
Fax: +91-44-24314252
E-mail: acechennai@ace-cranes.com

HERE TO SERVE YOU.

SPARE PARTS & SERVICE

ACE has all India Sales and Service network operating out of all the major cities. These outlets are fully equipped to provide genuine spare parts and services by company trained engineers. These outlets are further supported by company officials based at Delhi, Mumbai, Chennai, Kolkatta, Ahmedabad, Surat, Pune, Jaipur, Chandigarh, Ranchi, Raipur, Indore, Bhubneshwar, Lucknow, Jamnagar, Hyderabad, Bangalore, Guwahati, Patna, Vizag & Kochi.



Action Construction Equipment Ltd.

Contact:



ACE reserves the right to alter any specifications without prior notice. Dimensions, weights & capacities mentioned herein are variable by ± 5%. Accessories if shown are not part of the Standard Equipment.