

# ACE

## Lorry Loaders

Articulated & Straight Boom  
Truck Mounted Cranes

**ACE** INDIA'S NO. 1  
CRANE BRAND



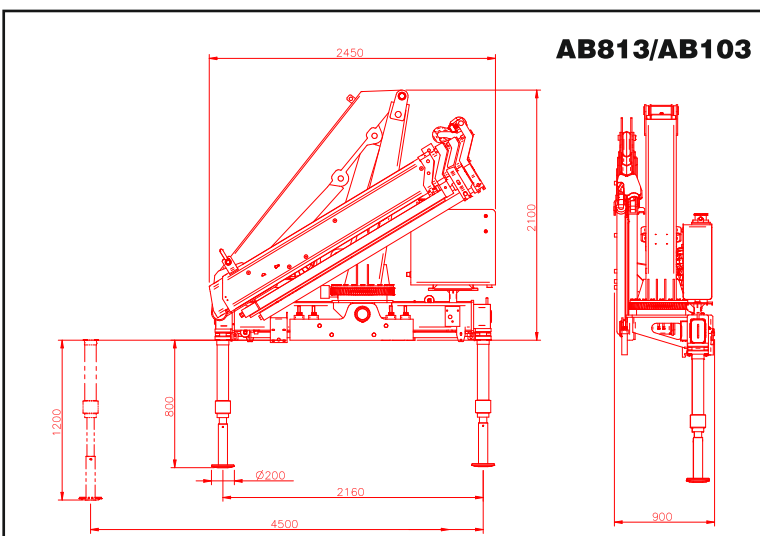
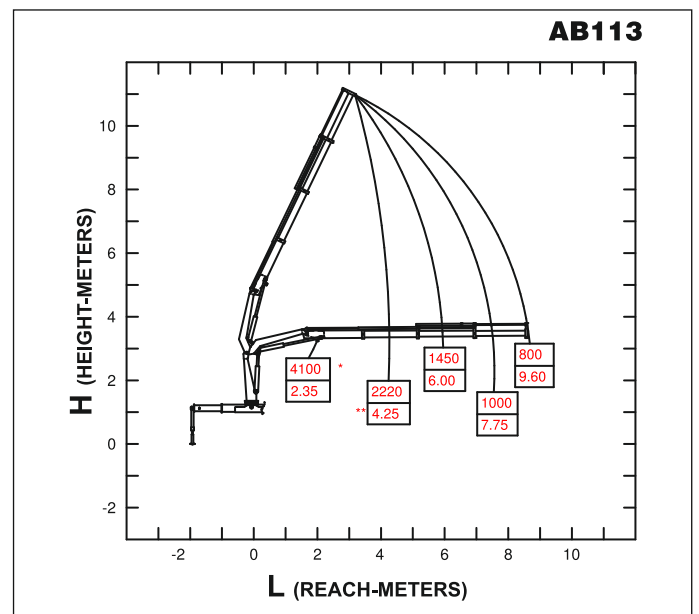
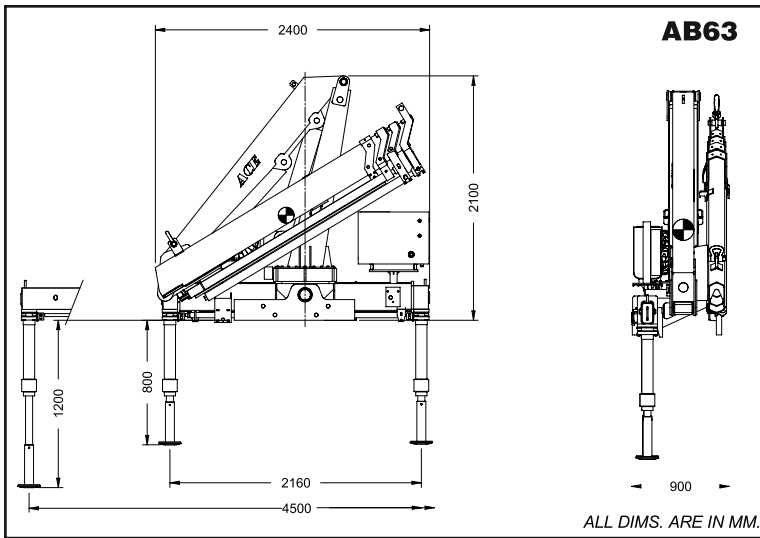
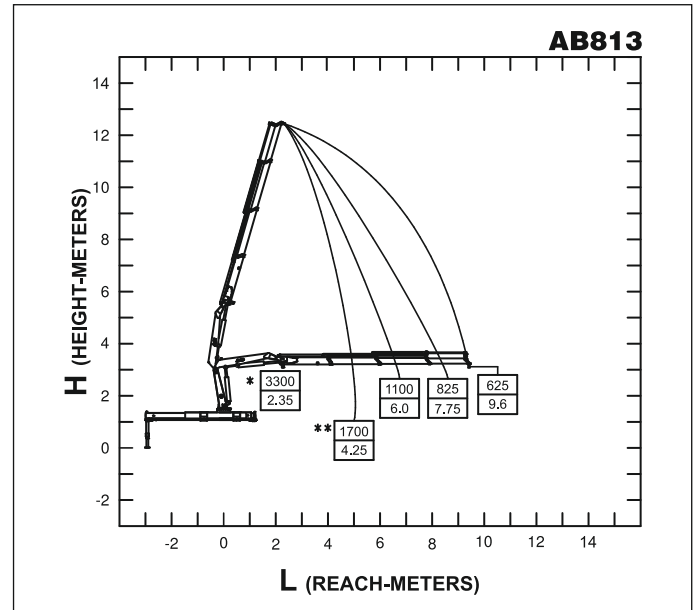
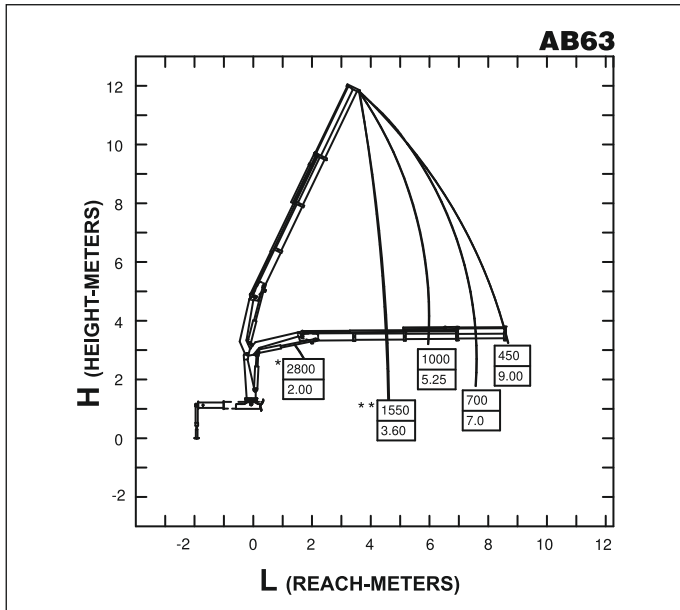
## Specifications - Articulated Booms

## AB63 / AB813 / AB113

Description	Unit	AB63	AB813	AB113
<b>Maximum Lifting Moment</b>	Tm	6	8	10
<b>Maximum Hydraulic reach</b>				
Horizontal	m	9.0	9.6	9.6
Vertical	m	12.0	12.2	12.2
<b>Hydraulic System</b>				
Recommended oil flow	ltr/min	38	38	38
Rated pressure	Bar	270	270	270
Tank Capacity	Ltr	60	90	90
<b>Slewing System - Rotation</b>				
Slewing angle	deg	360 (cont.)	360 (cont.)	360 (cont.)
Slewing moment	kNm	14	17	17
Max. Working heel	% (deg)	8.7 (5°)	8.7 (5°)	8.7 (5°)
<b>Operating Speed in unloaded condition.</b>				
Slewing speed (min.)	(%)sec	6°	6°	6°
Slewing moment	m/min	10	10	10
Max. Working heel	cm/sec	15	15	15
<b>Outrigger span</b>				
Normal	m	2.05	2.16	2.16
Expanded	m	4.20	4.50	4.50
<b>Lifting attachment</b>				
Lifting Hook	Tm	3.15	4.75	4.75



## Specifications - Articulated Booms



Note : Load chart is valid only if outriggers are fully deployed on both side.  
 \* Max. nominal capacity with fixed hook. \*\* Max. capacity from horizontal to vertical.

## Specifications - Articulated Booms

## AB163 / AB203

Description	Unit	AB163	AB203
<b>Maximum Lifting Moment</b>	Tm	15.0	19.0
<b>Maximum Hydraulic reach</b>			
Horizontal	m	10.20	10.20
Vertical	m	14.05	14.05
<b>Hydraulic System</b>			
Recommended oil flow	ltr/min	40	40
Rated pressure	Bar	280	280
Tank Capacity	Ltr	150	150
<b>Slewing System - Rotation</b>			
Slewing angle	deg	360 (cont.)	360 (cont.)
Slewing moment	kNm	21	25
Max. Working heel	% (deg)	8.7 (5°)	8.7 (5°)
<b>Operating Speed in unloaded condition.</b>			
Slewing speed (min.)	(%)sec	6°	6°
Slewing moment	m/min	10	12
Max. Working heel	cm/sec	15	15
<b>Outrigger span</b>			
Normal	m	2.30	2.30
Expanded	m	5.10	5.10
<b>Lifting attachment</b>			
Lifting Hook	T	7.0	7.0

### • Optional Features / Attachments :

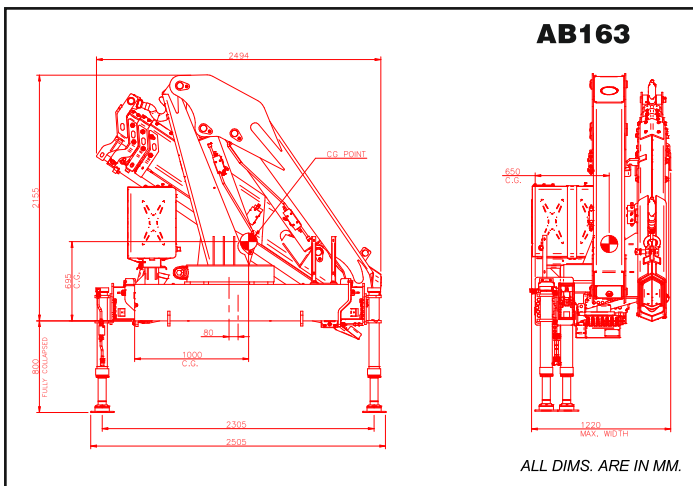
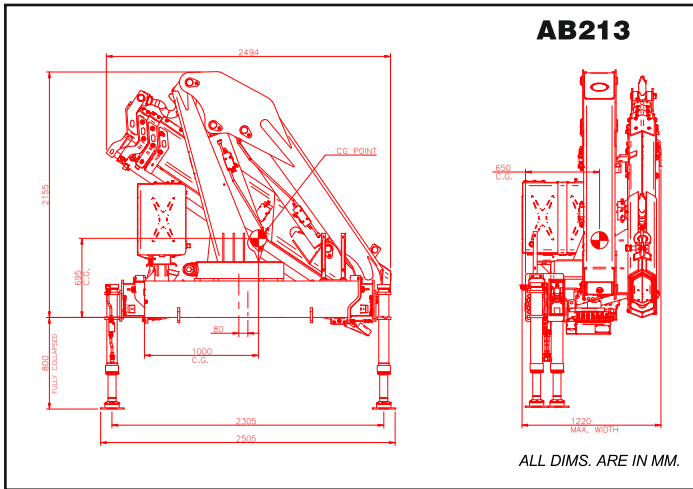
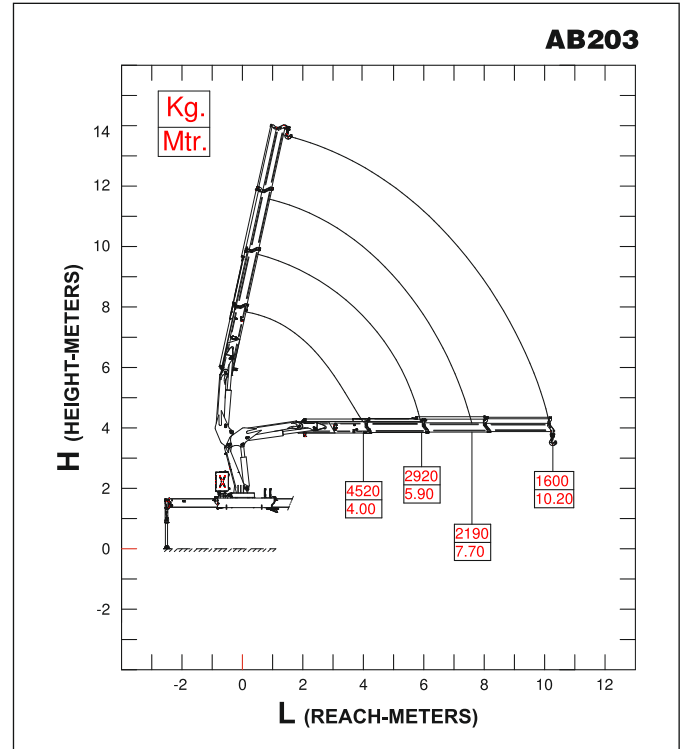
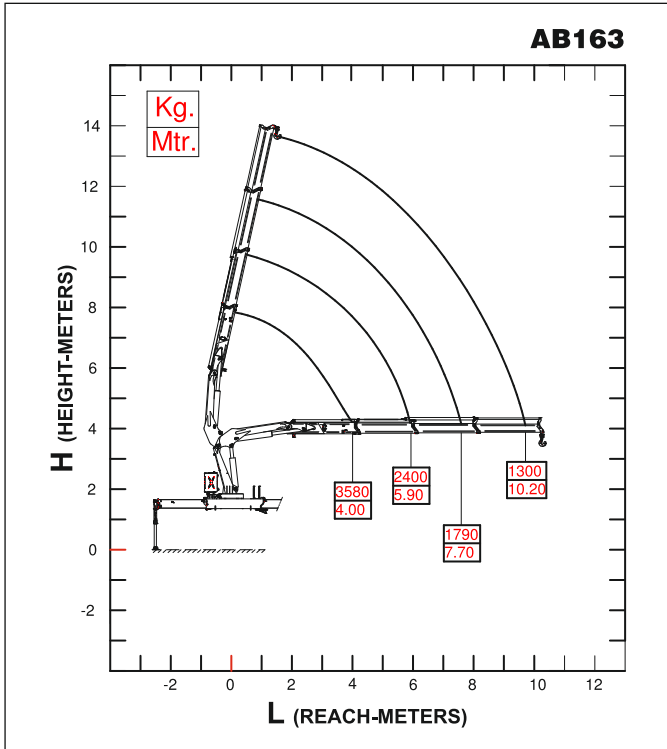
- Emergency Hand Pump
- Remote Control (wireless / wired)
- Spark Arrestor
- Winch Assembly
- Man Carrying Basket

- Grab Attachment
- Manual Extension
- Brick block attachment

- The mounting of the crane can be accommodated width wise on different make of Trucks Chassis with appropriate GVW.



## Specifications - Articulated Booms



NOTE: Load chart is valid only if outriggers are fully deployed on both sides.

## Specifications - Straight Booms

## SB813 / SB123 / SB163 / SB203

Description	Unit	SB813	SB123	SB163	SB203
<b>Maximum Lifting Moment</b>	kNm (Tm)	8.0	12.0	16.0	20.0
<b>Maximum Hydraulic reach</b>					
Horizontal	m	7.5	8.2	9.9	9.9
Vertical	m	10.4	11.0	13.1	13.1
<b>Hydraulic System</b>					
Recommended oil flow	ltr/min	38	40	40	40
Rated pressure	Bar	270	280	280	280
Tank Capacity	Ltr	90	150	150	150
<b>Slewing System - Rotation</b>					
Slewing angle	deg	360 (cont.)	360 (cont.)	360 (cont.)	360 (cont.)
Slewing moment	kNm	17	21	21	25
Max. Working heel	% (deg)	8.7 (5°)	8.7 (5°)	8.7 (5°)	8.7 (5°)
<b>Operating Speed in unloaded condition.</b>					
Slewing speed (min.)	(%)sec	6°	6°	6°	6°
Slewing moment	m/min	10	10	10	10
Max. Working heel	cm/sec	15	15	15	15
<b>Outrigger span</b>					
Normal	m	2.16	2.30	2.30	2.30
Expanded	m	4.50	5.10	5.10	5.10
<b>Lifting attachment</b>					
Lifting Hook	T	4.75	6.0	8.0	8.0
<b>Hoisting System</b>					
Single Line Pull		1500	1500	2500	2500
Rope Dia.		13	13	13	13

- **Safety Features :**
  - Safe Load Indicators
  - Load Moment Device
  - Dual Over Center Valve
  - Single Over Center Valve
  - Pilot Operated Valve
- **Optional Features :**
  - Emergency Hand Pump
  - Safe Load Indicator



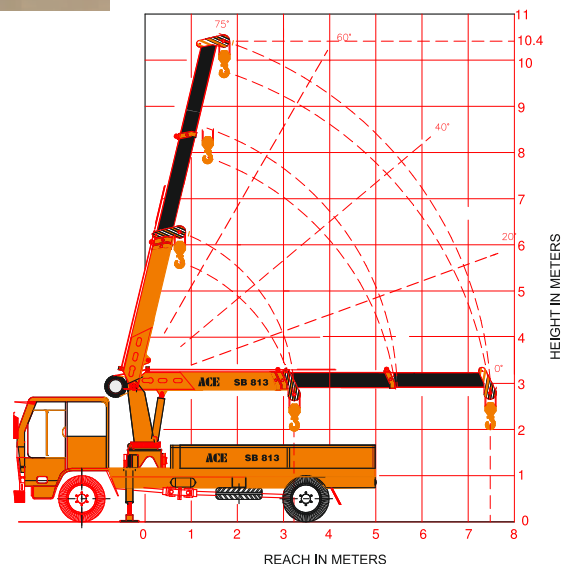
### SB 813

#### RATED LIFTING CAPACITIES

##### Side and Rear

RADIUS	FULLY CLOSED	BOOM EXTENDED	BOOM EXTENDED
	3.3 Mtrs. Kgs.	5.4 Mtrs. Kgs	7.5 Mtrs. kgs
Mtrs.	Kgs.	Kgs.	Kgs.
2.0	3300	3050	2350
2.5	3200	3050	2300
3.0	2700	2490	2135
3.5	2430 (3.3m)	2060	1780
4.0	—	1760	1500
5.0	—	1360	1150
6.0	—	1240 (5.4m)	950
7.0	—	—	740
7.5	—	—	700

REACH AND HEIGHT DIAGRAM





## Specifications - Straight Booms

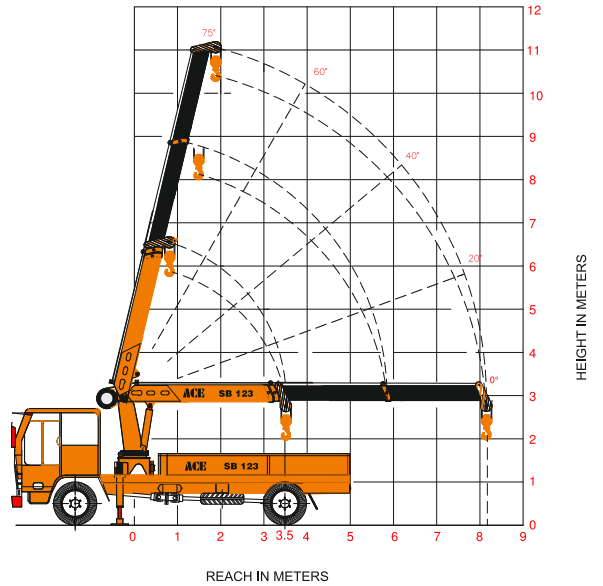
### SB123

#### RATED LIFTING CAPACITIES

Side and Rear

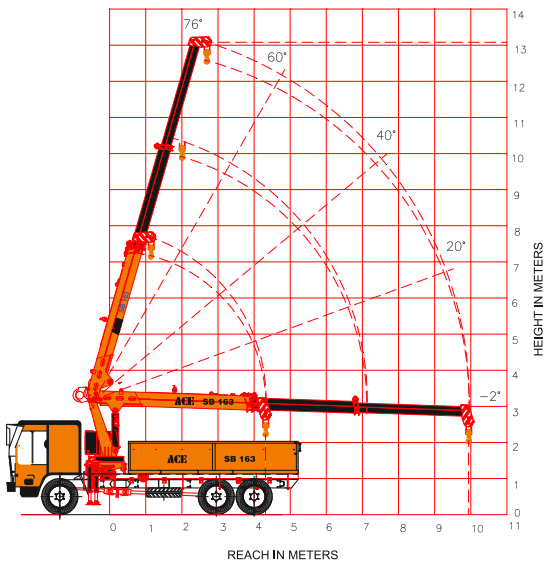
RADIUS	FULLY CLOSED 3.5 Mtrs.	BOOM EXTENDED 5.87 Mtrs.	BOOM EXTENDED 8.2 Mtrs.
Mtrs.	Kgs.	Kgs.	Kgs.
2.0	6000	—	—
2.5	5100	4100	3400
3.0	4100	3600	3150
3.5	3550	3275	3100
4.0	—	3050	3000
5.0	—	2280	2320
6.0	—	1910(5.8m)	1800
7.0	—	—	1500
8.2	—	—	1280

REACH AND HEIGHT DIAGRAM



### SB 163

REACH AND HEIGHT DIAGRAM



#### RATED LIFTING CAPACITIES

Side and Rear

RADIUS	FULLY CLOSED 4.3 Mtrs.	BOOM EXTENDED 7.1 Mtrs.	BOOM EXTENDED 9.9 Mtrs.
Mtrs.	Kgs.	Kgs.	Kgs.
2.0	7500	6200	—
2.5	6400	5600	4000
3.0	5340	4660	3750
3.5	4580	4000	3500
4.0	4125	3620	3340
4.5	3750 (4.3m)	3250	3000
5.0	—	3070	2780
6.0	—	2590	2420
7.0	—	2030	1865
8.0	—	—	1700
9.0	—	—	1600
9.9	—	—	1270

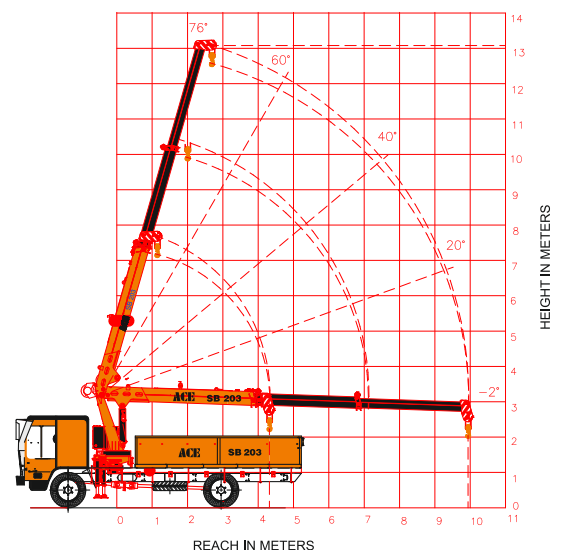
### SB 203

#### RATED LIFTING CAPACITIES

Side and Rear

RADIUS	FULLY CLOSED 4.3 Mtrs.	BOOM EXTENDED 7.1 Mtrs.	BOOM EXTENDED 9.9 Mtrs.
Mtrs.	Kgs.	Kgs.	Kgs.
2.0	8000	7000	—
2.5	8000	6300	4850
3.0	6400	5600	4400
3.5	5490	4900	4100
4.0	4950	4350	3900
4.3	4500	3900	3600
5.0	—	3500	3300
6.0	—	3100	2900
7.0	—	2600	2400
8.0	—	—	2100
9.0	—	—	1900
9.9	—	—	1500

REACH AND HEIGHT DIAGRAM

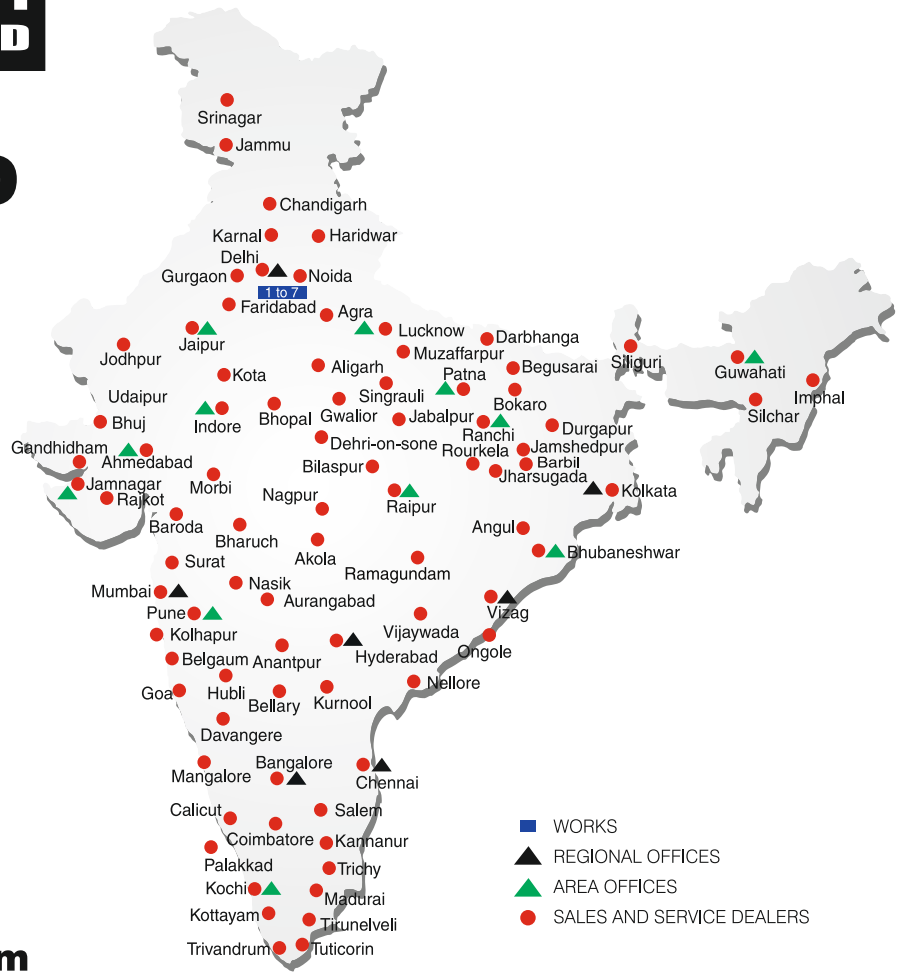


# BUILT TO PERFORM



**RELIABLE AND  
DEPENDABLE  
EFFICIENCY**

## NETWORK



**Toll Free Help Line  
1800 1800 004**

[www.ace-cranes.com](http://www.ace-cranes.com)

### MARKETING H.Q.

4th Floor, Pinnacle  
Surajkund, NCR-121009  
Ph. : +91-129-4550000  
Fax : +91-129-4550022  
E-mail: marketing@ace-cranes.com

### REGISTERED OFFICE

Dudhola Link Road, Dudhola  
Palwal-121102, Haryana  
Ph.: +91-1275-280111  
Fax: +91-1275-280133  
CIN : L74899HR1995PLC053860

### MUMBAI OFFICE

31, "Kalpataru Court"  
Chembur, Mumbai - 400074  
Ph.: +91-22-25206846, 25207070  
Fax: +91-22-25207071  
E-mail: acemumbai@ace-cranes.com

### KOLKATA OFFICE

"Forma Towers" 84-A, Second Floor  
AJC Bose Road, Kolkata - 700014  
Ph.: +91-9038070630  
E-mail: acekolkata@ace-cranes.com

### CHENNAI OFFICE

1st Floor, "Alsa Regency", 165  
Eldams Road, Alwar Pet  
Chennai - 600018  
Ph.: +91-44-24314253  
Fax: +91-44-24314252  
E-mail: acechennai@ace-cranes.com

## HERE TO SERVE YOU.

### SPARE PARTS & SERVICE

ACE has all India Sales and Service network operating out of all the major cities. These outlets are fully equipped to provide genuine spare parts and services by company trained engineers. These outlets are further supported by company officials based at Delhi, Mumbai, Chennai, Kolkatta, Ahmedabad, Surat, Pune, Jaipur, Chandigarh, Ranchi, Raipur, Indore, Bhubneshwar, Lucknow, Jamnagar, Hyderabad, Bangalore, Guwahati, Patna, Vizag & Kochi.



**Action Construction Equipment Ltd.**

Contact:



ACE reserves the right to alter any specifications without prior notice. Dimensions, weights & capacities mentioned herein are variable by ± 5%. Accessories if shown are not part of the Standard Equipment.