

100%  
Swadeshi

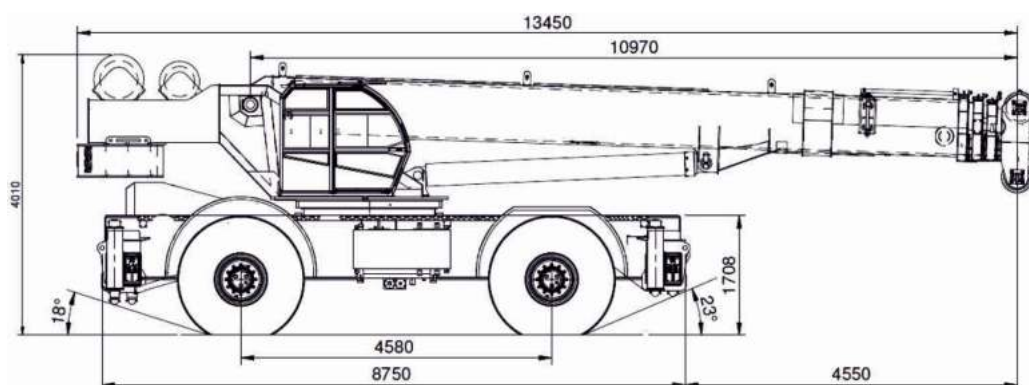
# ACE 75 XW

**ACE** INDIA'S NO. 1  
CRANE BRAND



<b>LIFTING CAPACITY</b>	75 Ton @ 3.0 M radius on outrigger. 20 Ton @ 5M radius, Pick and carry
<b>ENGINE</b>	Mahindra power, turbo charged, inter cooled diesel engine developing 274BHP @ 2200RPM, Torque 1015NM @ 1200-1600, Emission: BS IV CEV or similar suitable engine
<b>TRANSMISSION</b>	Engine driven full power shift with max 6 forward and 6 reverse speeds. Front axle disconnect for 4x2 travel
<b>HYDRAULIC SYSTEM</b>	Tandem hydraulic pump mounted directly on power shift transmission supplying hydraulic oil to all circuits. Separate pump is provided for the steering system.
<b>ELECTRICAL SYSTEM</b>	24V DC, System using two 12V batteries, Head tail, Side, Stop, Marker and Flash Lights
<b>SLEWING SUPER STRUCTURE</b>	360° Unlimited continuous slew in either direction by hydraulic motor. Counter balance valve for smooth control.
<b>BOOM DERRICKING</b>	Double acting hydraulic cylinder with counter balance safety valve, Angle: -2° to 80°
<b>TRAVEL SAFETY INTERLOCK</b>	Prevents travel of the vehicle until Slew Lock is engaged and cabin is locked either at 0° (Front) or at 180° (Rear) in its traveling position.
<b>HOIST SYSTEM</b>	Hydraulic Motor driven grooved drum with planetary reduction and automatic spring applied multi disc brake, counter balance valve for controlled lowering. Wire rope dia 20mm x 225m, non rotating.
<b>TELESCOPIC BOOM</b>	11.0m -34.7m total length four section telescopic, bottom round, full power boom. Fabricated from high strength low alloy steel plates. Telescopic section slide on adjustable and replaceable low friction wear pads.
<b>SPEED</b>	25 KMPH (Unladen)
<b>GRADEABILITY</b>	45%, Unladen (Max.)
<b>OUTRIGGERS</b>	Four hydraulically operated outrigger beam with vertical hydraulic jacks fitted with lock valves. Hydraulic operation is controlled from operator's cabin. Outrigger foot pad easily removable.
<b>STEERING</b>	Four mode of fully powered steering: Front only, Rear only, Crab, Coordinated (All 4 wheel steering) Rear Wheel Steering indicator. Steering reversal automatic when boom in rear.

<b>DRIVE</b>	Selectable 4x4 or 4x2 drive.
<b>AXLES</b>	
FRONT	Drive steer with planetary wheel hub and mounted rigidly to chassis.
REAR	Drive steer with planetary wheel hub and mounted on oscillating cradle. Oscillation locking automatic when boom on wheel duty.
<b>HOOK BLOCK</b>	75 Ton hook block with 12 falls
<b>HYDRAULIC TANK</b>	700 Ltr.
<b>TYRES</b>	29,5 X 25-28PR-E3 Tread earthmover Tyres.
<b>FUEL TANK</b>	400 Ltr.
<b>BRAKES</b>	Services Brake - Hydraulic, dual line all wheels.
<b>OPERATOR'S CABIN</b>	Steel frame slewing cabin with wide windscreen, Lockable sliding door. Lever controls for craning, Steer wheel, Sun visor, Adjustable seat, Cabin fan, Toughened safety glass, Pantograph type electric wiper, Horn, Audio visual Alarm for Safety feature.
<b>SAFE LOAD SYSTEM</b>	Provides boom angle, length, radius & lifted load with visual indication of approach to overload. Audible warning for overload and over hoist (anti two block system) along with motion cut. Automatic braking of suspended load in case of power failure.
<b>AXLE LOADS</b>	
Front Axle	26,500 kg
Rear Axle	25,500 kg
Total Weight	51,500 kg
<b>INSTRUMENTS / ACCESORIES</b>	Hour meter, Fuel level gauge, Hydraulic level indicator, Engine oil temperature gauge, Hydraulic oil temperature gauge, Low engine oil pressure indicator, Battery charging indicator, High low beam indicator, Hazard warning indicator.
<b>MICELLANEOUS</b>	<ul style="list-style-type: none"> <li>• Full width fender</li> <li>• Rear view mirror</li> <li>• Back up horn</li> <li>• Front Tow hook</li> <li>• Tool Kit</li> </ul>



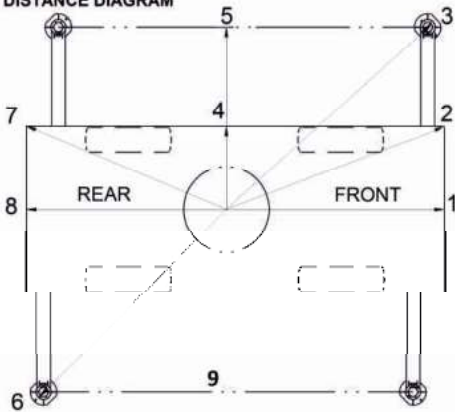
Load Chart (KGS)						
On Outrigger Fully Extended- 4 Section Boom						
Radius in Meters	Boom Length in Meters					
	11	14.95	18.9	24.2	29.4	34.7
3	80000	54100				
3.5	65000	53000	43050			
4	55800	51000	42000			
4.5	51000	47000	40500	32500		
5	46000	44400	38300	30400		
6	41700	38500	34000	27400	24500	
7	33000	33100	28700	23500	21000	
8		27500	25500	21500	19500	16500
9		22100	22000	19000	18500	15000
10		20000	19500	16500	16000	14000
12		17000	14000	13000	13000	13500
14			12050	11500	11000	11000
16			9900	9200	9000	8800
18				8000	7800	7600
20				6000	5500	5500
22					4500	4500
24					3500	3500
26					3000	3000
28						2000
30						1500
32						1000

Load Chart (KGS)				
On Wheel 29.5X25-28PR-E3, Pick & Carry, Over Front (4.0kmph)				
Radius in Meters	Boom Length in Meters			
	11	14.95	18.9	24.2
3	30300			
4	24000			
5	20000			
6	18000	13650		
7	15000	11650		
8		10000		
9		8000		
10		7900	7800	
12		7800	5800	
14			4000	4000
16			3000	3000
18			1700	1700

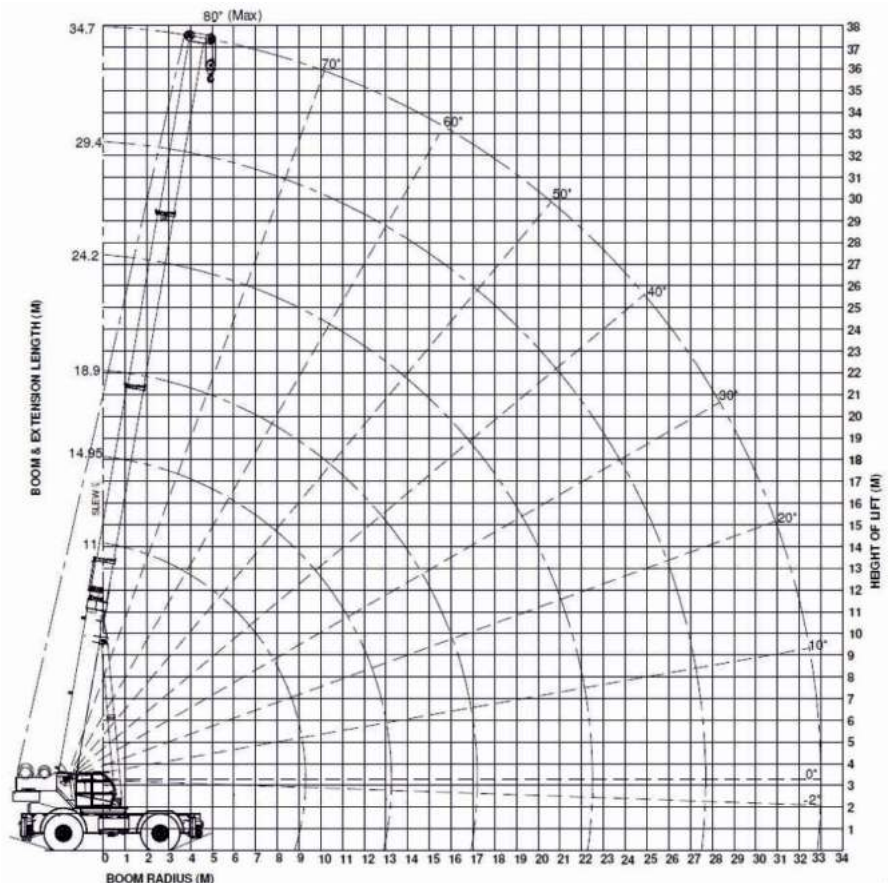
  

On Wheel (Stationary Capacity-360°)				
4.5	15000			
5	12000			
6	10000	8000	7710	
7	8500	7000	6210	
8		5000	4900	
9		4500	4000	
10		4000	3200	
12		3000	2500	

DISTANCE DIAGRAM



POSITION	DISTANCE IN METERS
1	4675
2	5020
3	5730
4	1850
5	3800
6	5230
7	4370
8	3960
9	8140



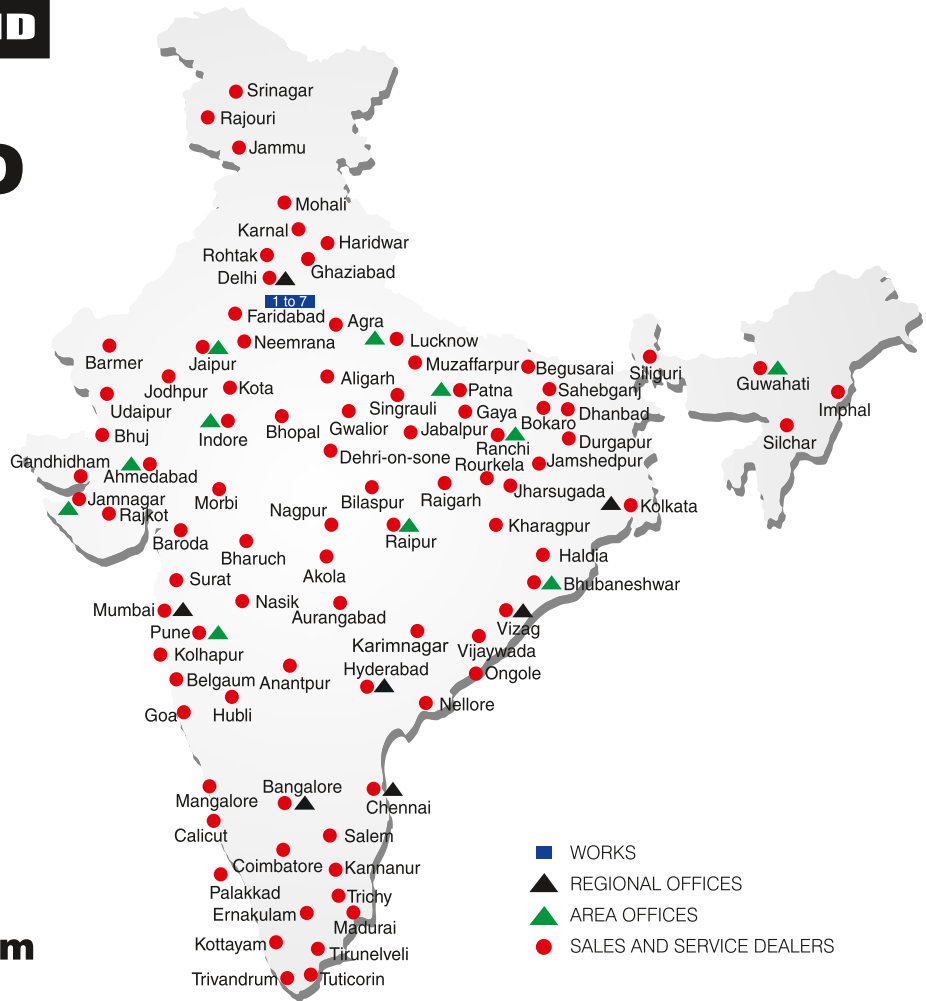
# BUILT TO PERFORM



**ACE** INDIA'S NO. 1  
CRANE BRAND

**RELIABLE AND  
DEPENDABLE  
EFFICIENCY**

## NETWORK



**Toll Free Help Line  
1800 1800 004**

[www.ace-cranes.com](http://www.ace-cranes.com)

### MARKETING H.Q.

4th Floor, Pinnacle  
Surajkund, NCR-121009  
Ph. : +91-129-4550000  
Fax : +91-129-4550022  
E-mail: marketing@ace-cranes.com

### REGISTERED OFFICE

Dudhola Link Road, Dudhola  
Palwal-121102, Haryana  
Ph.: +91-1275-280111  
Fax: +91-1275-280133  
CIN : L74899HR1995PLC053860

### MUMBAI OFFICE

31, "Kalpataru Court"  
Chembur, Mumbai - 400074  
Ph.: +91-22-25206846, 25207070  
Fax: +91-22-25207071  
E-mail: acemumbai@ace-cranes.com

### KOLKATA OFFICE

"Forma Towers" 84-A, Second Floor  
AJC Bose Road, Kolkata - 700014  
Ph.: +91-9038070630  
E-mail: acekolkata@ace-cranes.com

### CHENNAI OFFICE

1st Floor, "Alsa Regency", 165  
Eldams Road, Alwar Pet  
Chennai - 600018  
Ph.: +91-44-24314253  
Fax: +91-44-24314252  
E-mail: acechennai@ace-cranes.com

## HERE TO SERVE YOU.

### SPARE PARTS & SERVICE

ACE has all India Sales and Service network operating out of all the major cities. These outlets are fully equipped to provide genuine spare parts and services by company trained engineers. These outlets are further supported by company officials based at Delhi, Mumbai, Chennai, Kolkata, Ahmedabad, Surat, Pune, Jaipur, Chandigarh, Ranchi, Raipur, Indore, Bhubneshwar, Lucknow, Jamnagar, Hyderabad, Bangalore, Guwahati, Patna, Vizag & Kochi.



**Action Construction Equipment Ltd.**

Contact:



ACE reserves the right to alter any specifications without prior notice. Dimensions, weights & capacities mentioned herein are variable by ± 5%. Accessories if shown are not part of the Standard Equipment.