

ACE

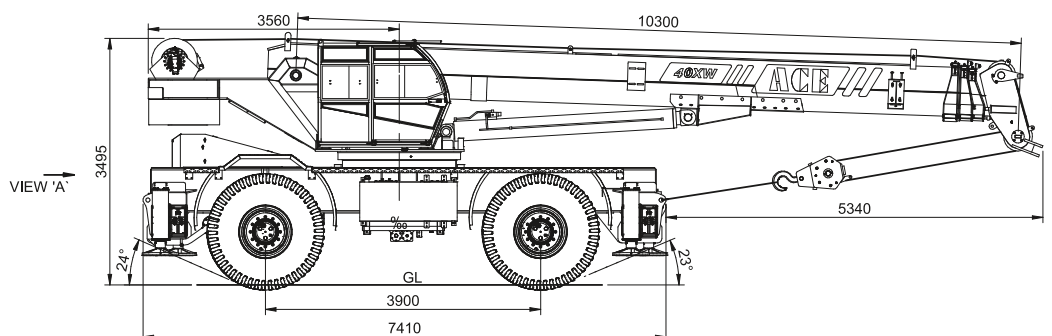
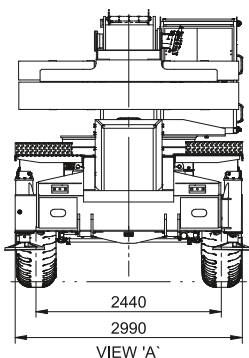
40 XW

ACE INDIA'S NO. 1
CRANE BRAND



LIFTING CAPACITY	40 Ton @ 3.0 M radius on outrigger.
ENGINE	Ashok Leyland-H6C418022,CEV IV, turbo charged, inter cooled diesel engine developing 180hp @ 2200 rpm or similar suitable engine
TRANSMISSION	Engine driven full power shift with max 6 forward and 6 reverse speeds. Front axle disconnect for 4X2 travel.
HYDRAULIC SYSTEM	Tandem hydraulic pump mounted directly on power shift transmission supplying hydraulic oil to all circuits. Separate pump is provided for the steering system.
ELECTRICAL SYSTEM	24V DC, using two 12 volt batteries, head, tail, side, stop, marker and Flash lights.
SLEWING SUPER STRUCTURE	360° Unlimited continuous slew in either direction by hydraulic motor. Counter balance valve for smooth control.
BOOM DERRICKING	Double acting hydraulic cylinder with counter balance safety valve. Angle : -2° to 78°
HOIST SYSTEM	Hydraulic motor driven grooved hoist drum with planetary reduction and automatic spring applied multi disc brake with counter balance valve for controlled lowering. Wire rope dia 18mmx195m length. Max line pull 7 ton on 1st layer.
TELESCOPIC BOOM	10,3m - 32,8m four section, telescopic, full power,sequence synchronized, Hexagon section boom Single lever control. Telescoping boom sections slide on adjustable & replaceable low friction wear pads.
SPEED	28 KMPH (Unladen)
GRADEABILITY	45% unladen, max
OUTRIGGERS	Four hydraulically operated outrigger beam with vertical hydraulic jacks fitted with lock valves. Hydraulic operation is controlled from operator's cabin. Outrigger foot pad is removable. Protected piston rods of outrigger jacks.
STEERING	Four independent hydraulic power steering modes: <ul style="list-style-type: none"> • Only front steering • Only rear steering • Crab steering • Coordinated (4 wheel steering) • Rear wheel steering indications • Auto reversal when boom on rear

DRIVE	Selectable 4x4 or 4x2 drive
AXLES	
FRONT	Drive steer with planetary wheel hub and mounted rigidly to chassis
REAR	Drive steer with planetary wheel hub and mounted on oscillating cradle. Oscillation automatic locking when boom on wheel duty.
HOOK BLOCK	45 Ton hook block with 8 falls
CAPACITIES	
Hydraulic Tank	600 Ltrs
Fuel Tank	400 Ltrs
TYRES	18.00 X 25 – 32 PR earthmover tyres.
BRAKES	Services Brake - Hydraulic, dual line on all wheels. Parking Brakes - Pneumatic
OPERATOR'S CABIN	Steel frame slewing cabin with wide windscreen, lockable sliding door. Lever controls for craning, steering wheel, Sun visor, Adjustable seat, cabin fan. Safety glass, pantograph type wiper, horn, alarms for safety.
SAFE LOAD SYSTEM	Provides boom angle, length, radius & lifted load with visual indication of approach to overload. Audible warning for overload and over hoist (anti two block system) along with motion cut. Automatic braking of suspended load in case of power failure.
AXLE LOADS	
Front Axle	16,500 Kg
Rear Axle	14,500 Kg
INSTRUMENTS / ACCESSORIES	<ul style="list-style-type: none"> • Hour Meter. • Fuel level gauge. • Hydraulic level indicator. • Engine oil temperature gauge. • Hydraulic Oil temperature gauge. • Low engine Oil pressure indicator. • Battery Charging Indicator. • High-low beam indicator • Hazard warning indicator
MICELLANEOUS STANDARD EQUIPMENT	<ul style="list-style-type: none"> • Full width fenders, • Rear view mirror, • Back up horn, • Front tow hook, • Tool kit.



Load Chart (TONS)

On Outrigger Fully Extended- 4 Section Boom

Radius in Meters	10.3	12.8	15.3	17.8	20.8	23.8	26.8	29.8	32.8
3	40.00	31.00	26.50						
3.5	31.90	29.10	25.00	20.40					
4	28.30	27.00	24.00	19.90					
4.5	26.00	25.10	22.10	19.00	16.30	15.00			
5	24.00	23.20	21.20	17.90	15.50	14.30			
6	20.30	20.00	18.10	15.50	14.00	12.90	11.60	10.00	
7	17.10	16.70	16.00	13.50	12.40	11.50	10.60	9.60	8.40
8	14.00	14.00	13.80	12.10	10.90	10.40	9.60	9.00	8.10
9		12.30	11.80	10.70	9.70	9.40	8.80	8.10	7.30
10			10.20	9.60	8.70	8.50	8.00	7.30	6.60
12			7.40	7.40	7.20	6.90	6.50	6.10	5.50
14				5.30	5.60	5.70	5.40	5.00	4.70
16					4.20	4.40	4.50	4.30	4.00
18					3.10	3.30	3.60	3.60	3.40
20						2.50	2.70	3.00	2.90
22							2.00	2.30	2.50
24							1.40	1.70	1.90
28								1.20	1.50
26									1.10
28									0.80
30									

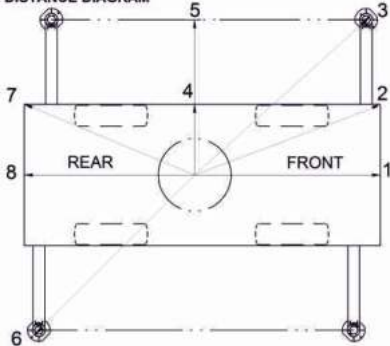
On Wheel 18.00x25-32PR, 360°, Static

3	15.00	14.10	10.00						
4	11.20	10.90	8.00	7.80					
5	8.70	8.60	6.70	6.50					
6	6.50	6.70	5.80	5.70	4.70	2.80			
7	5.10	5.00	4.80	4.50	3.90	2.70			
8	4.00	3.80	3.60	3.30	3.30	2.70	2.00	0.90	
10		2.10	1.90	1.70	2.10	2.00	1.90	0.90	
12			0.90	0.70	1.00	1.00	0.80	0.80	

On Wheel 18.00x25-32PR, Pick & Carry, Over Front (4.0kmph)

3	17.30	14.0							
4	13.90	12.60	12.00						
4.5	12.00	11.30	10.80	9.50					
6	9.50	9.50	9.30	7.80	6.00				
7	7.80	7.80	7.70	6.70	5.40				
8	6.50	6.40	6.40	5.70	4.70	4.60	4.30		
10		4.60	4.50	4.30	3.90	3.90	3.90		

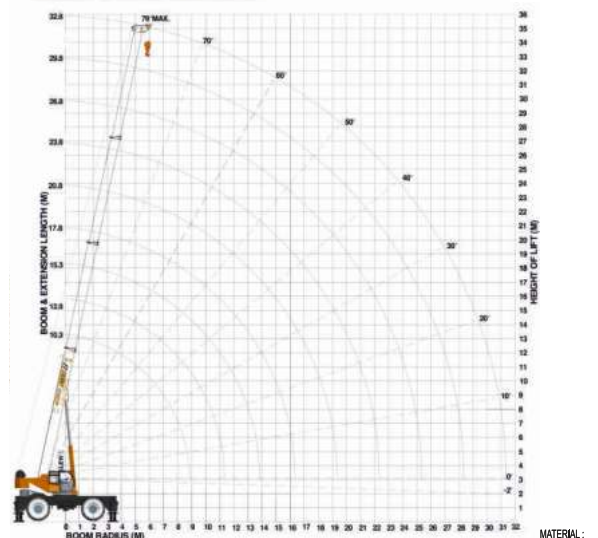
DISTANCE DIAGRAM



POSITION	DISTANCE IN METERS
1	3.670
2	3.940
3	4.863
4	1.495
5	3.340
6	4.755
7	3.820
8	3.520
9	6.671



HEIGHT & RADIUS DIAGRAM



MATERIAL:

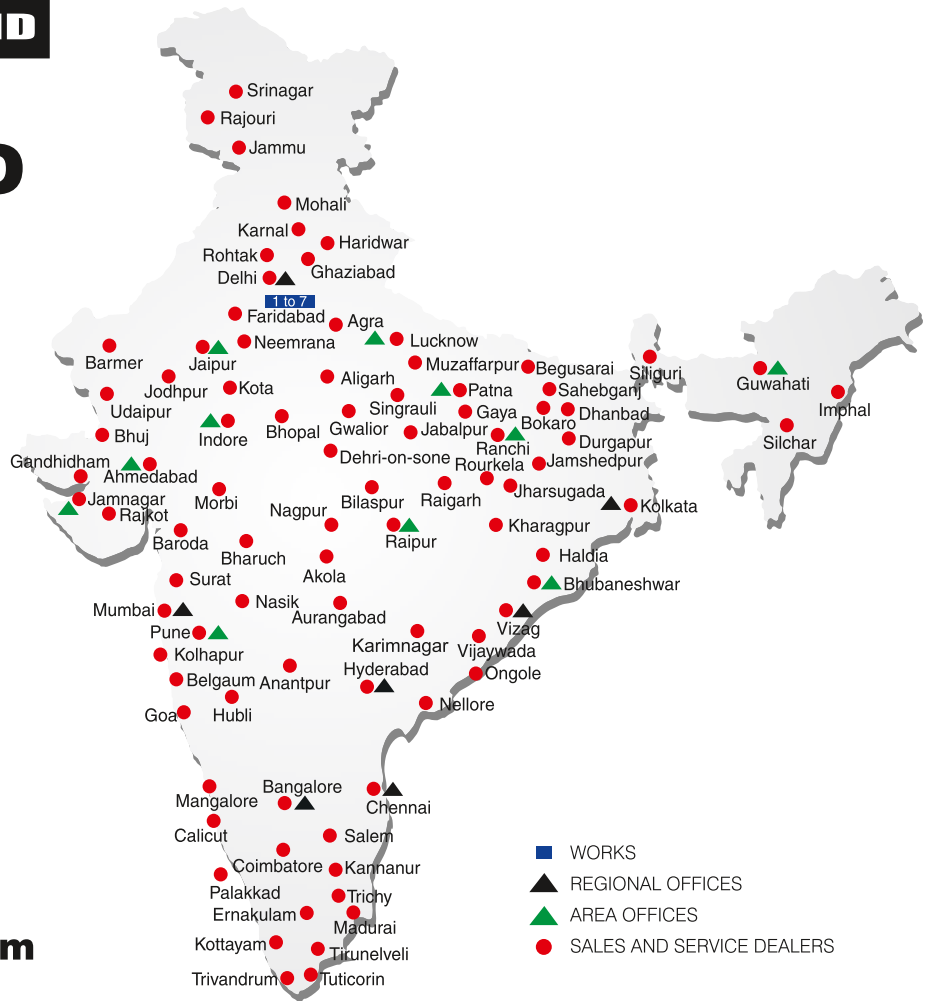
BUILT TO PERFORM



ACE INDIA'S NO. 1
CRANE BRAND

**RELIABLE AND
DEPENDABLE
EFFICIENCY**

NETWORK



**Toll Free Help Line
1800 1800 004**

www.ace-cranes.com

MARKETING H.Q.

4th Floor, Pinnacle
Surajkund, NCR-121009
Ph. : +91-129-4550000
Fax : +91-129-4550022
E-mail: marketing@ace-cranes.com

REGISTERED OFFICE

Dudhola Link Road, Dudhola
Palwal-121102, Haryana
Ph.: +91-1275-280111
Fax: +91-1275-280133
CIN : L74899HR1995PLC053860

MUMBAI OFFICE

31, "Kalpataru Court"
Chembur, Mumbai - 400074
Ph.: +91-22-25206846, 25207070
Fax: +91-22-25207071
E-mail: acemumbai@ace-cranes.com

KOLKATA OFFICE

"Forma Towers" 84-A, Second Floor
AJC Bose Road, Kolkata - 700014
Ph.: +91-9038070630
E-mail: acekolkata@ace-cranes.com

CHENNAI OFFICE

1st Floor, "Alsa Regency", 165
Eldams Road, Alwar Pet
Chennai - 600018
Ph.: +91-44-24314253
Fax: +91-44-24314252
E-mail: acechennai@ace-cranes.com

HERE TO SERVE YOU.

SPARE PARTS & SERVICE

ACE has all India Sales and Service network operating out of all the major cities. These outlets are fully equipped to provide genuine spare parts and services by company trained engineers. These outlets are further supported by company officials based at Delhi, Mumbai, Chennai, Kolkata, Ahmedabad, Surat, Pune, Jaipur, Chandigarh, Ranchi, Raipur, Indore, Bhubneshwar, Lucknow, Jamnagar, Hyderabad, Bangalore, Guwahati, Patna, Vizag & Kochi.

ACE

Action Construction Equipment Ltd.

Contact:



ACE reserves the right to alter any specifications without prior notice. Dimensions, weights & capacities mentioned herein are variable by ± 5%. Accessories if shown are not part of the Standard Equipment.