

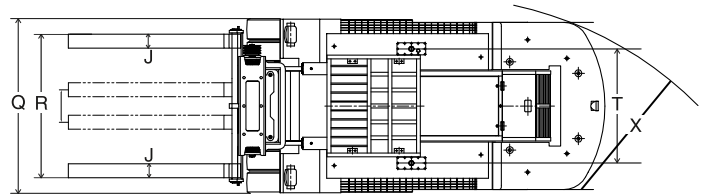
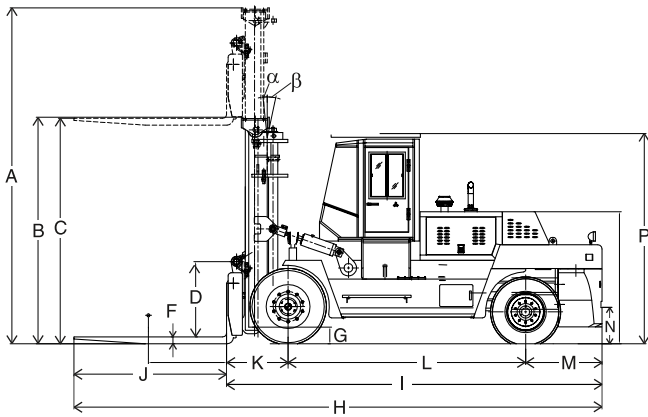
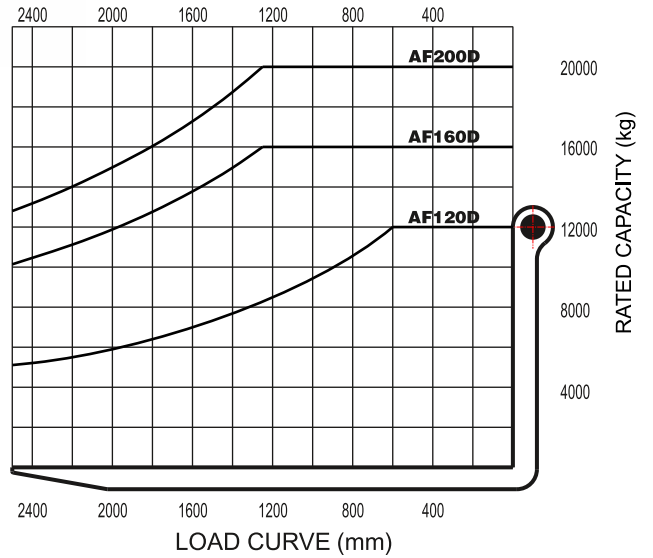
ACE Forklifts

Capacity : 12 - 20 tonnes

High Performance & rugged
Forklift Trucks.

ACE INDIA'S NO. 1
CRANE BRAND





STANDARD DIMENSIONS

Model	AF 120D	AF 160D	AF 200D
	mm	mm	mm
A. Overall height form raised	5040	5395	5370
B. Max. fork height (Standard Model)	3500		
C. Overall height fork lowered	3350	3625	3600
D. Backrest height (from upper face of forks)	1010	970	960
E. Free lift	230	—	—
F. Fork thickness	100	110	110
G. Min. clearance (bottom of mast)	250	235	250
H. Overall length (with forks)	5915	8220	8540
I. Overall length (without forks)	4700	5780	6100
J. Fork length	1220	2440	2440
K. Front overhang	770	917	975
L. Wheel base	3200	3800	4000
M. Rear overhang	730	1130	1275
N. Coupler height	450	1585	1832
O. Overhead guard clearance (from face to seat)	1110	1050	1050
P. Overall height (overhead guard)	2590	3360	3580
Q. Overall width	2200	2750	3020
R. Lateral fork adjustment	420-2080	666-2264	808-2264
S. Tread (front)	9.00-20/14PR	2060	2200
T. Tread (rear)	9.00-20/14PR	2330	2390
U. Fork width	180	180	260
V. Inside turning radius	500	790	760
W. Outside turning radius	4450	5800	5800
X. Min. intersecting aisle	4200	4600	5000
Y. Titring angles ($\alpha-\beta$)	6° – 12°		

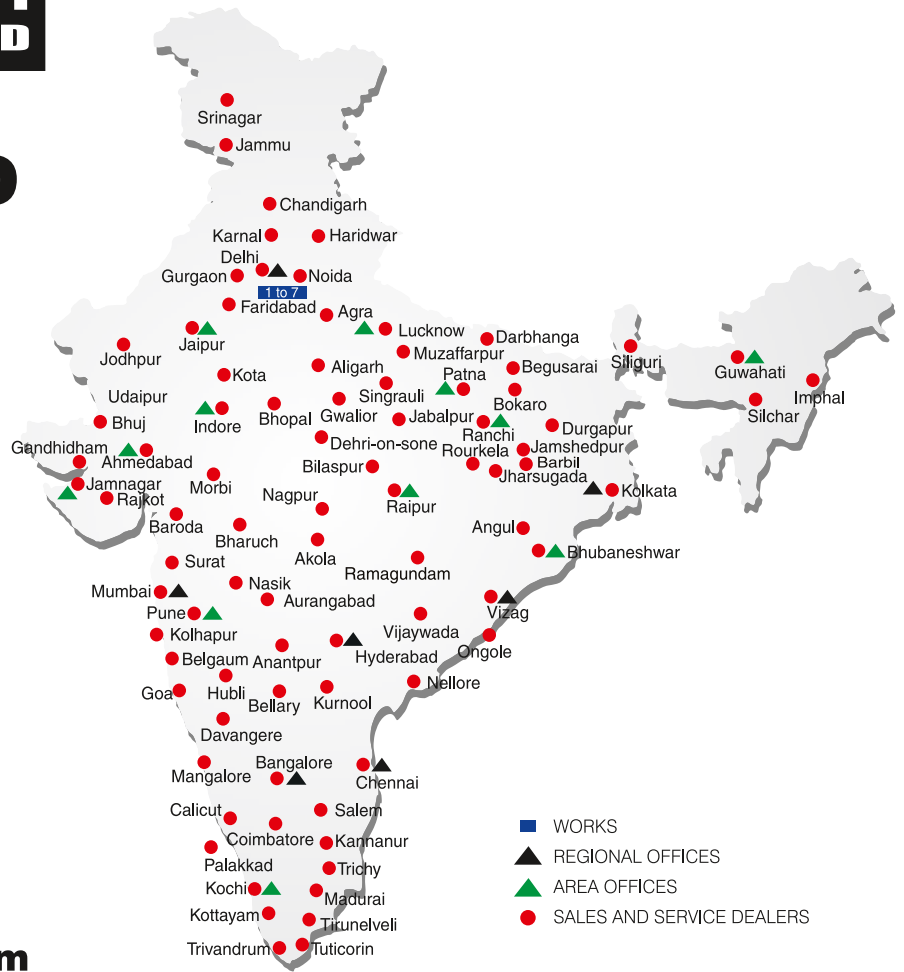
*RASA = Right Angle Stacking Aisle, a = Clearance, b = Load Length

BUILT TO PERFORM



**RELIABLE AND
DEPENDABLE
EFFICIENCY**

NETWORK



**Toll Free Help Line
1800 1800 004**

www.ace-cranes.com

MARKETING H.Q.

4th Floor, Pinnacle
Surajkund, NCR-121009
Ph. : +91-129-4550000
Fax : +91-129-4550022
E-mail: marketing@ace-cranes.com

REGISTERED OFFICE

Dudhola Link Road, Dudhola
Palwal-121102, Haryana
Ph.: +91-1275-280111
Fax: +91-1275-280133
CIN : L74899HR1995PLC053860

MUMBAI OFFICE

31, "Kalpataru Court"
Chembur, Mumbai - 400074
Ph.: +91-22-25206846, 25207070
Fax: +91-22-25207071
E-mail: acemumbai@ace-cranes.com

KOLKATA OFFICE

"Forma Towers" 84-A, Second Floor
AJC Bose Road, Kolkata - 700014
Ph.: +91-9038070630
E-mail: acekolkata@ace-cranes.com

CHENNAI OFFICE

1st Floor, "Alsa Regency", 165
Eldams Road, Alwar Pet
Chennai - 600018
Ph.: +91-44-24314253
Fax: +91-44-24314252
E-mail: acechennai@ace-cranes.com

HERE TO SERVE YOU.

SPARE PARTS & SERVICE

ACE has all India Sales and Service network operating out of all the major cities. These outlets are fully equipped to provide genuine spare parts and services by company trained engineers. These outlets are further supported by company officials based at Delhi, Mumbai, Chennai, Kolkatta, Ahmedabad, Surat, Pune, Jaipur, Chandigarh, Ranchi, Raipur, Indore, Bhubneshwar, Lucknow, Jamnagar, Hyderabad, Bangalore, Guwahati, Patna, Vizag & Kochi.



Action Construction Equipment Ltd.

Contact:



ACE reserves the right to alter any specifications without prior notice. Dimensions, weights & capacities mentioned herein are variable by ± 5%. Accessories if shown are not part of the Standard Equipment.