

ACE

Diesel Forklifts

Capacity : 4 - 5 Tons

High Performance & rugged
Diesel Forklift Trucks.

ACE

**INDIA'S NO. 1
CRANE BRAND**





SPECIFICATIONS

| Model | | Units | AF 40D | AF 50D | | |
|------------------------------|------------------------------|--------------|-----------------------|-------------------|----------------------|-----------------|
| Load Capacity | | Kg | 4000# | 5000 | | |
| Load Center | | mm | 500 | 600 | | |
| Power | | | Diesel | | | |
| Tyres | Front / Rear | | Pneumatic/Solid | | | |
| Wheel (s) | Front / Rear (SD/DD) # | | 2/2 or 4/2 | | | |
| Fork Height (std.) | | mm | 3000 | | | |
| Fork Size (LxWxT) | | mm | 1070 x 125 x 45 | 1220 x 150 x 55 | | |
| Transmission | Number of Speeds - Fwd / Rev | | 1/1 (Automatic) | 2 / 1 (Automatic) | 2 / 2 (Manual Shift) | |
| Speed (s) | Travel (Fwd / Rev) | With Load | Km/h | 20 | 22 | |
| | | Without Load | Km/h | 22 | 24 | |
| | Lifting | With Load | mm/Sec | 360 | 190 | |
| | | Without Load | mm/Sec | 450 | 205 | |
| | Lowering | With Load | mm/Sec | 550 | 450 | |
| | | Without Load | mm/Sec | 320 | 440 | |
| Gradeability (Laden/Unladen) | | % | 18 | 20/22 | | |
| Total Weight | | Kg | 4800 | 7560 | 8000 | |
| Tyre Sizes | | Front | 28x9-15-12PR | 3.00 – 15 | | |
| | | Rear | 6.50 – 10 – 10PR | 7.00 – 12 | | |
| Wheel Base | | mm | 1835 | 2000 | 2150 | |
| Brake (s) | Service | | Hydraulic-Foot Pedal | | | |
| | Parking | | Mechanical-Hand Lever | | | |
| Battery | Voltage / Capacity | | V / Ah | 12 / 70 | 12 / 88 | |
| Engine | Model | | S433 | 4805 | A75 TC | |
| | Rated Horsepower | | bhp/rpm | 48.67 @ 2200 | 80 bhp @ 2300 | 74.8 bhp @ 2200 |
| | Rated Torque | | Nm(Kgm)/rpm | 195 @ 1100-1500 | 300 / 1500 | 305 / 1330-1430 |
| | Number of Cylinders | | | 4 | | |
| | Displacement | | Ltrs. | 3.3 | 3.53 | 4.088 |
| | Fuel Tank Capacity | | Ltrs. | 65 | 75 | 75 |
| Operating Pressure | For Attachment | | Kg / cm2 (Bar) | 175 | 180 | 195 |

Mast Details

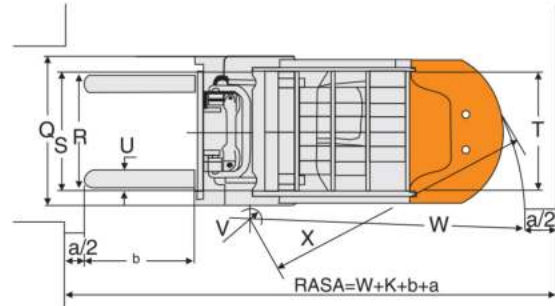
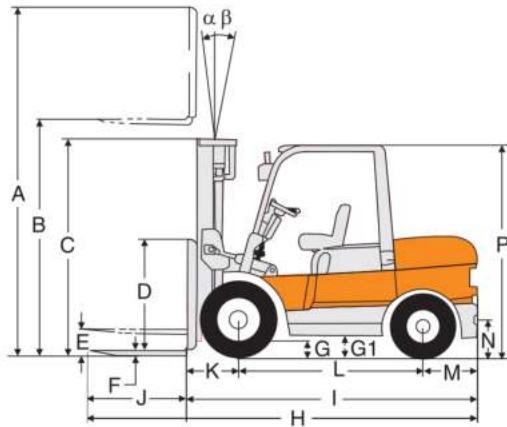
| MASTTYPE | Fork Height (mm) | Load Capacity (kg) | | Overall Height Lowered (mm) | | Free lift (mm) | | TILT ANGLE (α-β) | |
|------------------------------|------------------|---------------------|---------------------|-----------------------------|-------|----------------|-------|------------------|-------|
| | | AF40D | AF50D | AF40D | AF50D | AF40D | AF50D | AF40D | AF50D |
| Double Mast 3 mtrs. (STD) | 3000 | 4000 | 5000 | 2050 | 2210 | 150 | 150 | 6/12 | |
| Double Mast 3 mtrs. (FFL) * | 3000 | 4000 | 5000 | 2050 | 2210 | 1500 | 1550 | 6/12 | |
| Double Mast 3.6 mtrs. (STD) | 3600 | 4000 | 5000 | 2290 | 2525 | 150 | 150 | 6/12 | |
| Triple Mast 4.5 mtrs (FFL) * | 4500 | 2200/2700 # (SD/DD) | 4200/4500 # (SD/DD) | 2080 | 2225 | 1500 | 1550 | 6/6 | |
| Triple Mast 6.0 mtrs (FFL) | 6000 | 1050/1950 # (SD/DD) | 2500/4000 # (SD/DD) | 2600 | 2900 | 1940 | 1980 | 3/6 | |

* Suitable for container stuffing

FFL - Full free lift

#(SD/DD) - Single Drive / Dual Drive

#AF40D can lift 3000 kg@900mm Load centre



STANDARD DIMENSIONS

| Model | AF40D | | AF50D | |
|---|--------------------|-------------------|-------------------|-------------------|
| | Automatic | | Automatic | Mechanical |
| A. Overall height fork raised | 4230 | | 4300 | 4300 |
| B. Max. fork height (Standard Model) | 3000 | | | |
| C. Overall height fork lowered | 2050 | 2210 | 2210 | 2210 |
| D. Backrest height (from upper face of forks) | 1220 | 1220 | 1220 | 1220 |
| E. Free lift | 150 | 150 | 150 | 150 |
| F. Fork thickness | 45 | 55 | 55 | 55 |
| G. Min. clearance (bottom of mast) | 120 | 125 | 125 | 125 |
| G1. Min. clearance (bottom of chassis) | 150 | 165 | 165 | 165 |
| H. Overall length (with forks) | 4025 | 4400 | 4475 | 4475 |
| I. Overall length (without forks) | 2910 | 3180 | 3255 | 3255 |
| J. Fork length | 1070 | 1220 | 1220 | 1220 |
| K. Front overhang | 495 | 560 | 575 | 575 |
| L. Wheel base | 1835 | 2000 | 2100 | 2100 |
| M. Rear overhang | 550 | 580 | 580 | 580 |
| N. Coupler height | 370 | 400 | 400 | 400 |
| P. Overall height (overhead guard) | 2150 | 2250 | 2250 | 2250 |
| Q. Overall width (SD/DD) | 1220/1680 | 1480/1990 | 1480/1990 | 1480/1990 |
| R. Lateral fork adjustment (SD/DD) | 250~1090/ 250~1440 | 300~1380/300~2100 | 300~1380/300~2100 | 300~1380/300~2100 |
| S. Trade (front) (SD/DD) | 1000/1460 | 1175/1730 | 1175/1730 | 1175/1730 |
| T. Trade (Rear) | 980 | 1200 | 1200 | 1200 |
| U. Fork width | 125 | 150 | 150 | 150 |
| V. Inside turning (SD/DD) | 550/900 | 700/1000 | 700/1000 | 700/1000 |
| W. Outside turning Radius (SD/DD) | 2700/3150 | 2800/3100 | 2900/3200 | 2900/3200 |
| X. Min. intersecting aisle | 2300 | 3000 | 3200 | 3200 |

* All dimensions are in mm.

* RASA = Right Angle Stacking Aisle, a = Operator Clearance, b = Load Length



FORKLIFTS

Forklifts

STANDARD EQUIPMENT

- Wide view mast
- Load backrest
- Standard forks
- Power steering
- Retaining rollers
- Overhead guard
- Standard seat (Adjustable)
- Drawbar pin
- Air cleaner
- Parking brake lever
- Lift, tilt levers
- Dipstick for TC oil
- Return hydraulic filter
- TC oil filter
- Lift Circuit cut-off valve
- Tilt adjustable steering wheel
- Turn indicator Lights
- Hour meter
- Water temperature meter
- Fuel meter
- Engine oil pressure warning indicator
- Electric charge indicator
- LED lights
- Rear combination lights
- Rear view mirrors
- Reverse Buzzer
- Electric horn
- Neutral safety switch (TC)
- Rubber floor mat
- Tool kit

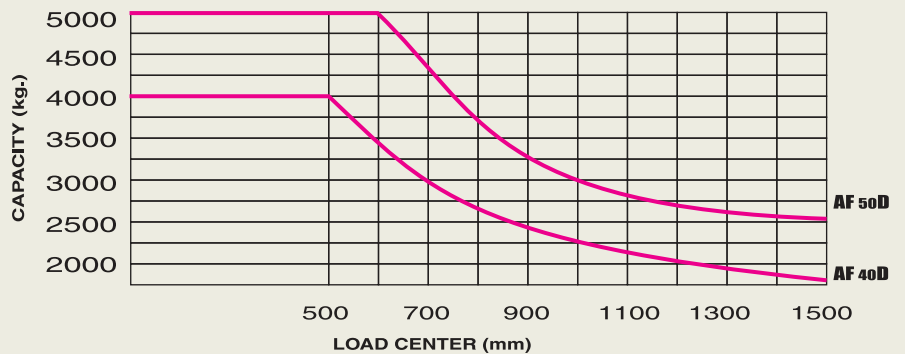
OPTIONAL EQUIPMENT

- Different Mast type (Refer Mast Details)
- Solid tyres
- All weather steel cabin
- Air conditioned operator cabin
- Spark arrester
- Front dual wheels
- Fire extinguisher
- Water muffler
- Long fork
- Oxy catalytic converters
- Auto greasing system
- Safe load Indicator
- Blue spot light
- Red safe zone light

OPTIONAL ATTACHMENTS

- Fork extensions
- Side shifter
- Hinged forks with bucket
- Bale clamp
- Rotating forks
- Crane attachment
- Ram attachment
- Drum(s) handling attachment
- Paper roll clamp
- Fork Positioner

LOAD CHART



Attachments





COMPLETE MATERIAL HANDLING SOLUTION



*Nothing beats an **ACE***



Electric Forklifts



1.5T - 3.0T



4.5T - 6.0T

Diesel Forklifts



1.5T - 3.0T



4.0T - 10T



12T - 35T

LPG Forklifts



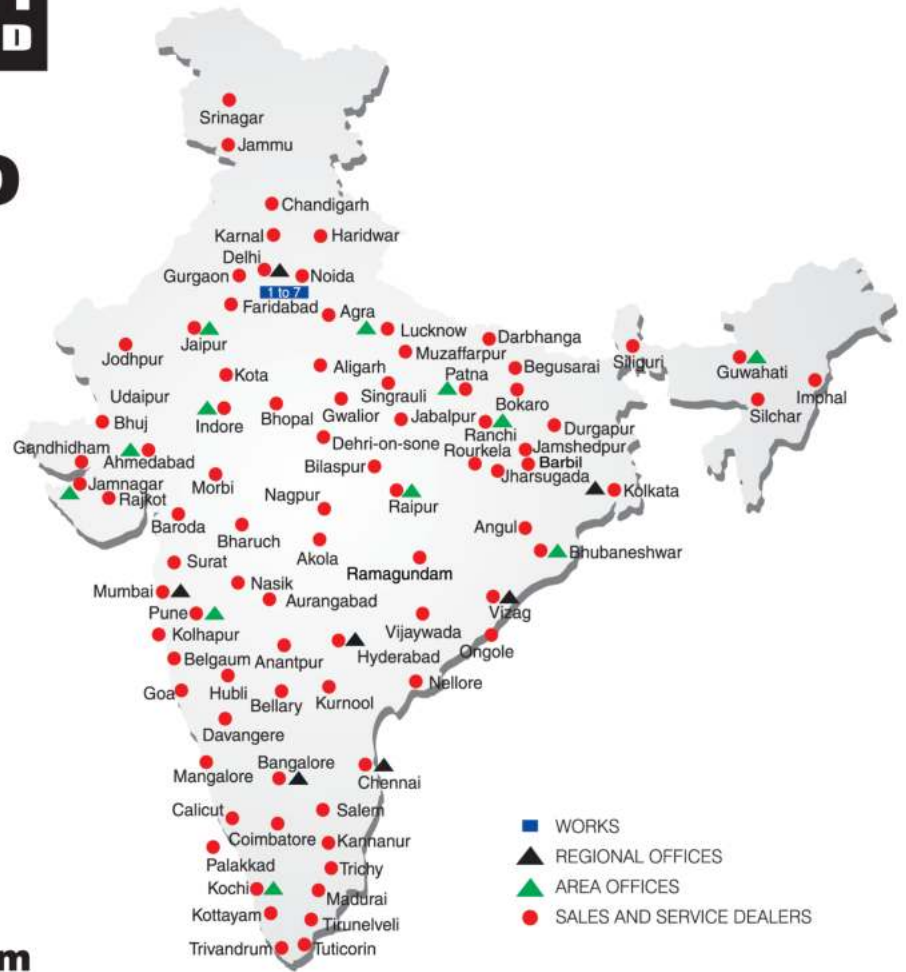
3.0T - 5.0T

BUILT TO PERFORM



**RELIABLE AND
DEPENDABLE
EFFICIENCY**

NETWORK



**Toll Free Help Line
1800 1800 004**

www.ace-cranes.com

MARKETING H.Q.

4th Floor, Pinnacle
Surajkund, NCR-121009
Ph. : +91-129-4550000
Fax : +91-129-4550022
E-mail: marketing@ace-cranes.com

REGISTERED OFFICE

Dudhola Link Road, Dudhola
Palwal-121102, Haryana
Ph.: +91-1275-280111
Fax: +91-1275-280133
CIN : L74899HR1995PLC053860

MUMBAI OFFICE

31, "Kalpataru Court"
Chembur, Mumbai - 400074
Ph.: +91-22-25206846, 25207070
Fax: +91-22-25207071
E-mail: acemumbai@ace-cranes.com

KOLKATA OFFICE

"Forma Towers" 84-A, Second Floor
AJC Bose Road, Kolkata - 700014
Ph.: +91-9038070630
E-mail: acekolkata@ace-cranes.com

CHENNAI OFFICE

1st Floor, "Alsa Regency", 165
Eldams Road, Alwar Pet
Chennai - 600018
Ph.: +91-44-24314253
Fax: +91-44-24314252
E-mail: acechennai@ace-cranes.com

HERE TO SERVE YOU.

SPARE PARTS & SERVICE

ACE has all India Sales and Service network operating out of all the major cities. These outlets are fully equipped to provide genuine spare parts and services by company trained engineers. These outlets are further supported by company officials based at Delhi, Mumbai, Chennai, Kolkata, Ahmedabad, Surat, Pune, Jaipur, Chandigarh, Ranchi, Raipur, Indore, Bhubneswar, Lucknow, Jamnagar, Hyderabad, Bangalore, Guwahati, Patna, Vizag & Kochi.



Action Construction Equipment Ltd.

Contact:



ACE reserves the right to alter any specifications without prior notice. Dimensions, weights & capacities mentioned herein are variable by ± 5%. Accessories if shown are not part of the Standard Equipment.